

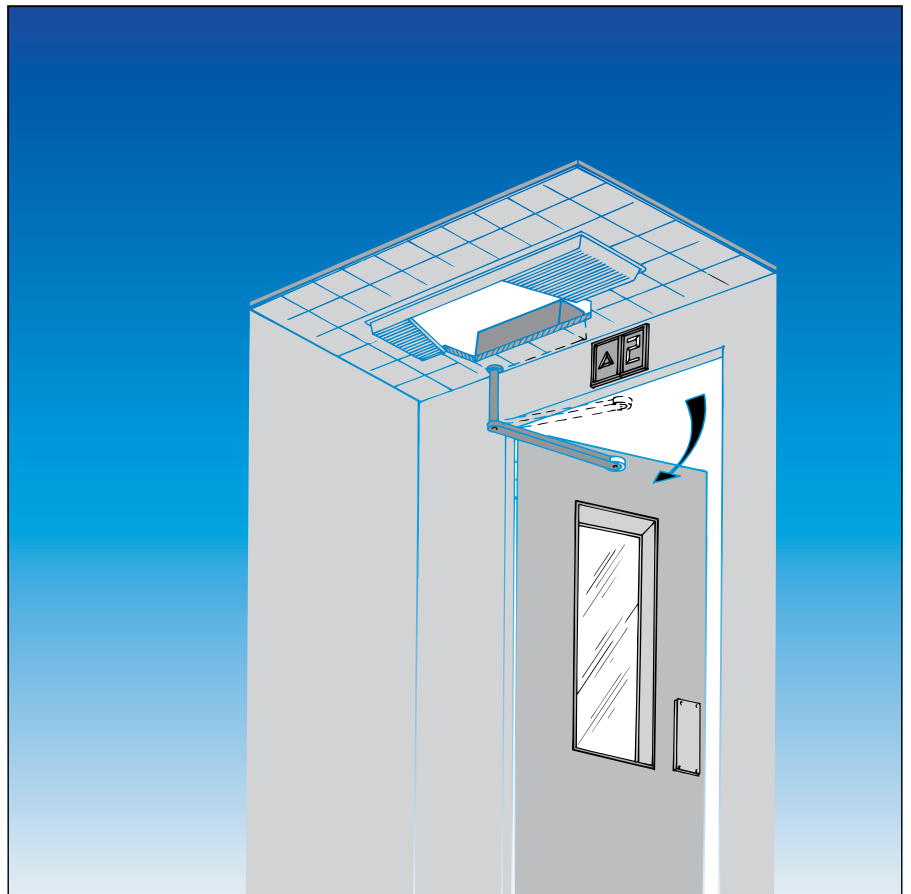
DICTAMAT 304 AZ for Hinged Lift Landing Doors

The DICTAMAT 304 AZ is an electrical door operator which automatically opens hinged lift doors up to 200 kg.

As the operating arm is not directly fixed to the door, **all landing doors** in the lift can be opened by **a single unit** mounted above the door in the ceiling or on top of the car. The arm of the DICTAMAT 304 AZ is not connected to the landing door. It just pushes the door open with a roller on the end of the lever. The door is closed by the already installed door closer or closing spring.

The DICTAMAT 304 AZ is equipped with an electronic position control system. The final positions are memorised in the control system - even in the event of a power failure. The door operator slows down before reaching the final positions. This feature increases the safety and avoids noise and unnecessary strain on the doors.

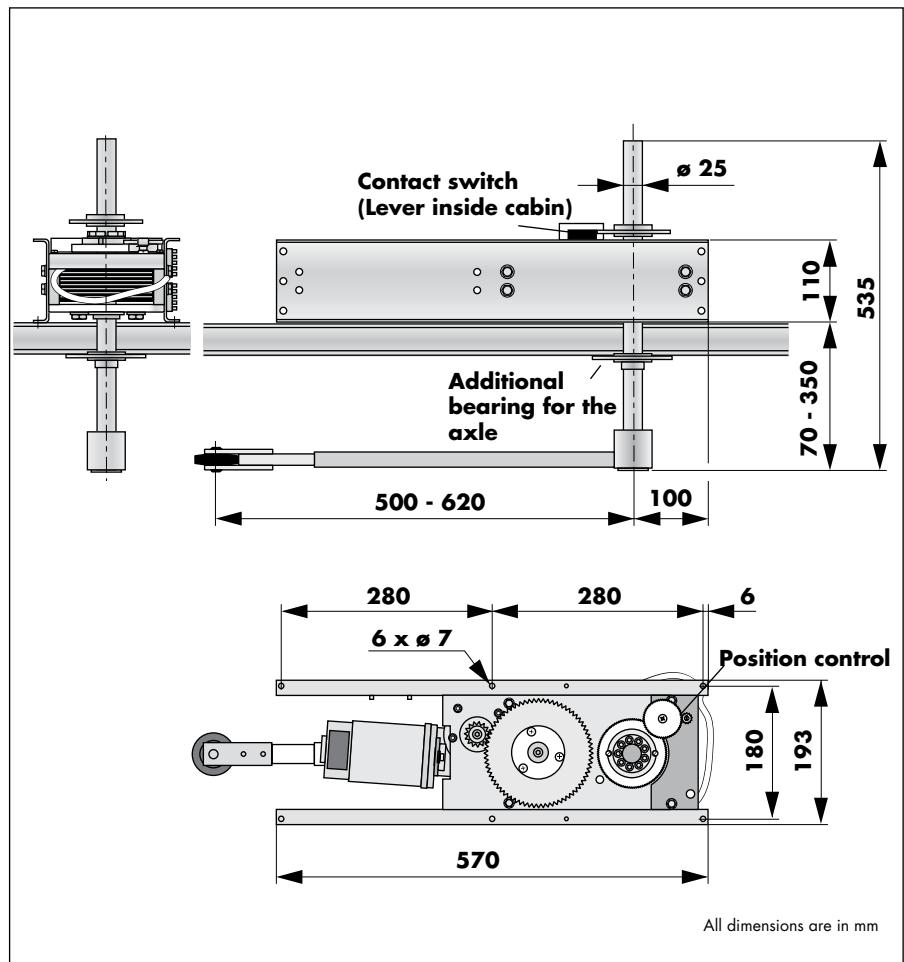
Along with the speed and the final positions, a response level for a reversing function can also be precisely adjusted in the control system. If the door hits an obstacle whilst opening, it reverses immediately.



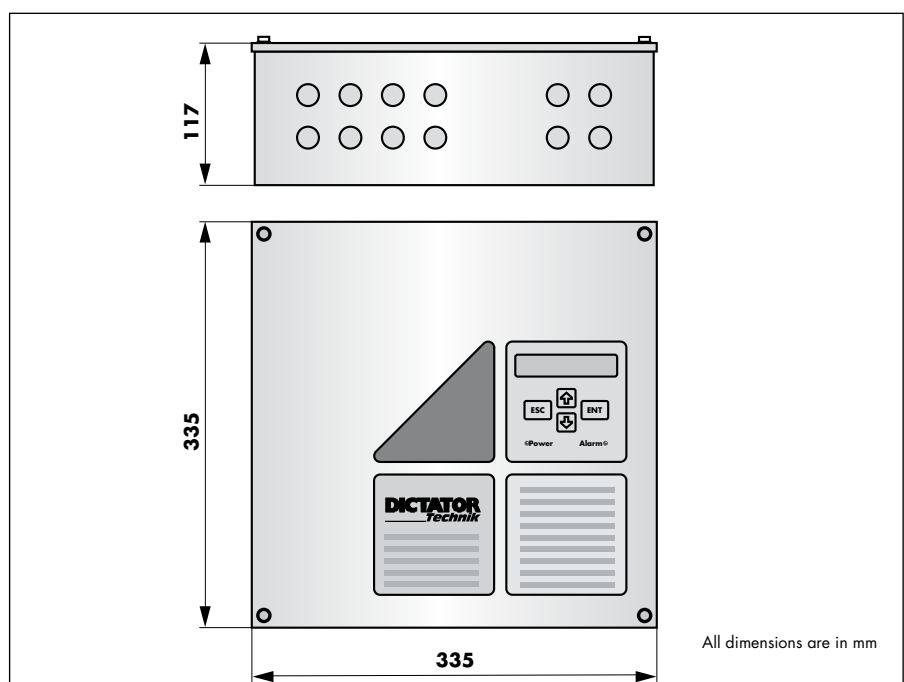
Technical Data

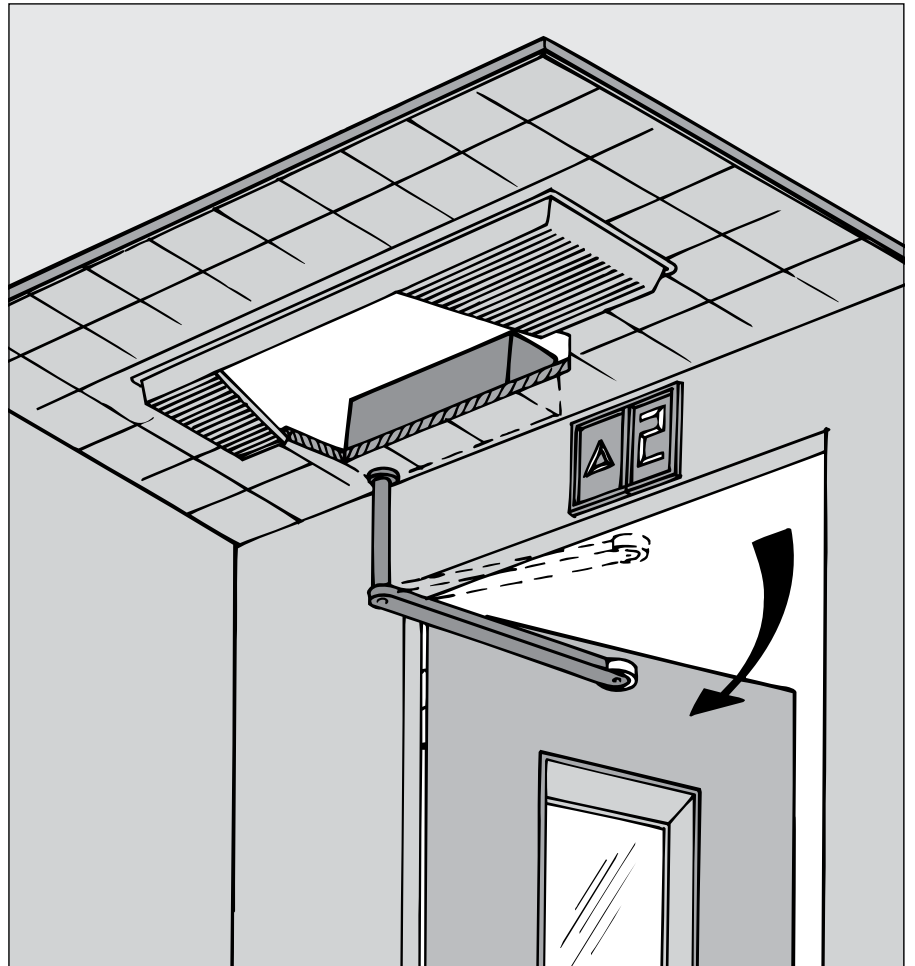
Force of door operator	max. 100 Nm
Door weight	max. 200 kg
Door width	max. 1.2 m
Door speed	opening and closing speed separately adjustable; 2 to 8 s / 90°
Power supply	230 VAC / 2 A / 50 - 60 Hz
Motor (2.5 m plug-in cable)	24 VDC / 90 W / IP 40
Operating options	Impulse OPEN, CLOSE, OPEN/CLOSE

Dimensions



**SQUARE 820 AZ
Control System**





Description

The door operator is either mounted on the cabin roof or in the car on the lintel directly above the cabin door. In both cases please observe any relevant safety regulations, especially the distance of the lever to the lintel to prevent injuries,

The door operator is ready to mount once delivered, with connector for the plug-in cable connecting the SQUARE 820 AZ control system to the motor.

The length of the axle is adjustable, so that it can exactly be adapted to the requirements of each cabin. The maximum distance between the bottom edge of the door operator on the cabin ceiling and the operating arm opening the door is 350 mm. The door operator can be used both for right and left-hand doors.

The DICTAMAT 304 AZ operating arm is not connected to the landing door of the lift but is provided with a plastic roller which runs on the door. In the event of a power failure the door can therefore always be moved freely by hand. The operating arm pushes the door open. When it has reached the opened position it returns to the closed position as soon as the set time for the automatic closing has expired. The closing speed of the operating arm should be higher than the opening speed.

When the operating arm has reached its closed position, a contact switch connects with the central lift control system, making sure that the lift only starts moving again when the operating arm is securely back inside the cabin.

The door itself is closed by a door closer or closing spring combined with a door check.

Operating Options

The control system designed for the use with the DICTAMAT 304 AZ is the SQUARE 820 AZ of the system of control units SQUARE. The control system permits both dead man as well as impulse operation. When using it on lift doors we recommend strongly the impulse operation. All final positions are adjusted in the control system. Apart from the positions OPEN and CLOSED the positions for changing to the crawling speed before the positions OPEN and CLOSED have to be adjusted. Starting at these positions the speed of the door operator is reduced and the door enters slowly the final position.

The SQUARE 820 AZ offers the following functions:

- Impulse OPEN: Door opens completely after pressing the switch shortly or pulling a ceiling switch.
- Impulse partial opening: Door opens partially (to an additional position adjusted in the control system) after pressing an extra switch shortly.
- Impulse CLOSE: After pressing the switch shortly the lever of the door drive returns automatically to the position CLOSED. The door itself is closed by its closing spring or a door closer.
- Alternating impulse OPEN / CLOSE: after each impulse the door/lever moves in the opposite final position.
- STOP As long as the door opens, it stops as soon as the STOP switch is pressed. When using the STOP switch during closing the arm of the drive unit is stopped. The door goes on closing until it hits the lever.
- Automatic closing: Door closes automatically after a time pre-set between 1 and 999 sec.

Further adjustment possibilities:

- Safety equipment
- Function relay contact (e.g. for the connection of a siren, warning flashlight etc.)
- Operation characteristics of the motor:
 - Smooth starting/stopping* (adjustment of the acceleration and deceleration when the motor starts or is disconnected)
 - Fast Stop* (when safety equipment is triggered)
 - Distance for the *crawling speed* before the final position OPEN and CLOSED, crawling speed OPEN, crawling speed CLOSE
 - Response level for the reverse function*

Please make sure that the motor reverses when the load exceeds 150 N.

Components Included

Door operator (24 VDC motor, casing zinc-plated)
with adjustable axle, contact switch on the axle

Components Included Control System

SQUARE 820 AZ control system with 2.5 m connection cable to the door drive,
2.0 m cable with plug for the mains supply and integrated OPEN and CLOSE keys

Order Information

DICTAMAT 304 AZ

part no. 710344

SQUARE 820 AZ control system

part no. 706082AZ