

## Accessories for Sliding Doors

DICTATOR provides various accessories for sliding lift doors. There are

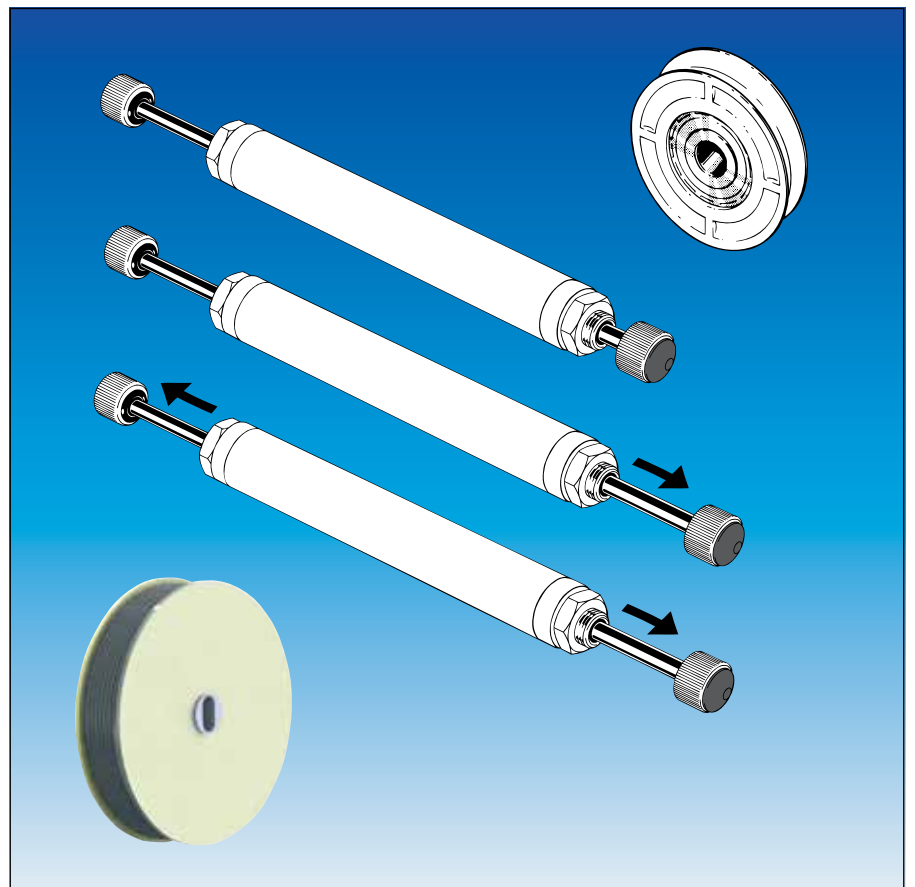
- bi-directional hydraulic ZDH dampers
- Standard Haushahn door damper
- spring rope pulleys
- plastic rollers

The **DICTATOR ZDH sliding door dampers** are bi-directional hydraulic dampers for an impact speed up to 2,0 m/sec. A single damper fixed to the door will slow down and damp the door in the final stages of travel. This requires a mechanical buffer in both final positions.

All dampers of the ZDH range can be adjusted. This allows the door to be adjusted to an optimum function. On the following page you will find a selection of the most common types of double dampers used for lift sliding doors.

DICTATOR **spring rope pulleys** are used for the mechanical closing of sliding lift doors.

DICTATOR **plastic rollers** are to be found in the running gear of the sliding doors.



### Summary

DICTATOR ZDH bi-directional hydraulic dampers	page 01.050.00
DICTATOR Standard Haushahn door damper for sliding doors	page 01.051.00
DICTATOR spring rope pulleys	page 01.052.00
DICTATOR plastic rollers	page 01.054.00

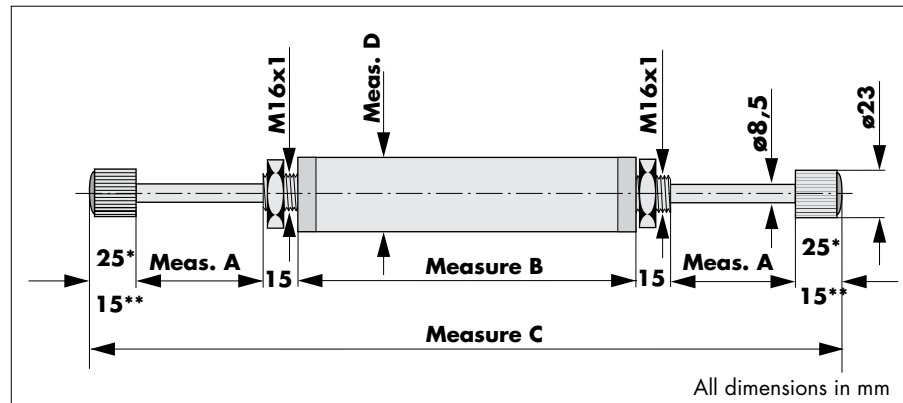


### ZDH Bi-Directional Dampers for Sliding Doors

Depending on the requirements we offer different types: with automatically extending piston rods, with the piston rods pushing/extending one another or with one piston rod extending automatically and one being pushed by the other.

To adjust dampers with stepped adjustment (ZR) you simply pull on the completely extended piston rod and turn it at the same time. Both sides can be adjusted separately. The adjustment screw for the dampers with adjustment screw (NR) is located right in the front of the piston rod. By turning the screw you can increase or reduce the damping force continuously.

### Dimensions



\* height of the buffer with stepped adjustment (ZR) 25 mm  
 \*\* height of the buffer with adjustment screw 15 mm

### Technical Data and Order Information

Model	Meas. A	Meas. B	Meas. C	Meas. D	Adjustment	Make of lift	Part no.
ZDH 50/50 BG	50	137	297	28	Adjustment screw	-	210110
ZDH 50/50 a	50	137	297	28	Adjustment screw	-	210000
ZDH 50/50 a/EG/P	50	220	400	28	Turn piston rod (ZR)	Rathgeber	203190
ZDH 60/80 a	60/80	260	484	28	Turn piston rod (ZR)		210420*
ZDH 70/70 a/EG/P	70	260	480	28	Turn piston rod (ZR)	Rathgeber	203191
ZDH 55/55 BG	55	132	255	35	Turn piston rod (ZR) one-piece piston rod	Rathgeber	203195**
ZDH 120 BG	120	208	408	28	Turn piston rod one-piece piston rod	Stahl width up to 1300 mm	203162

\* On the side with the 60 mm piston rod the length of the thread is 44 mm.

\*\* Ø 12 mm piston rod, M24x1 mm thread on one side, 17 mm long

- Key:**
- a automatically extending piston rod
  - a/EG one piston rod extending automatically, one piston rod pushed outwards by the other
  - BG piston rods move each other to the outside
  - P progressive damping

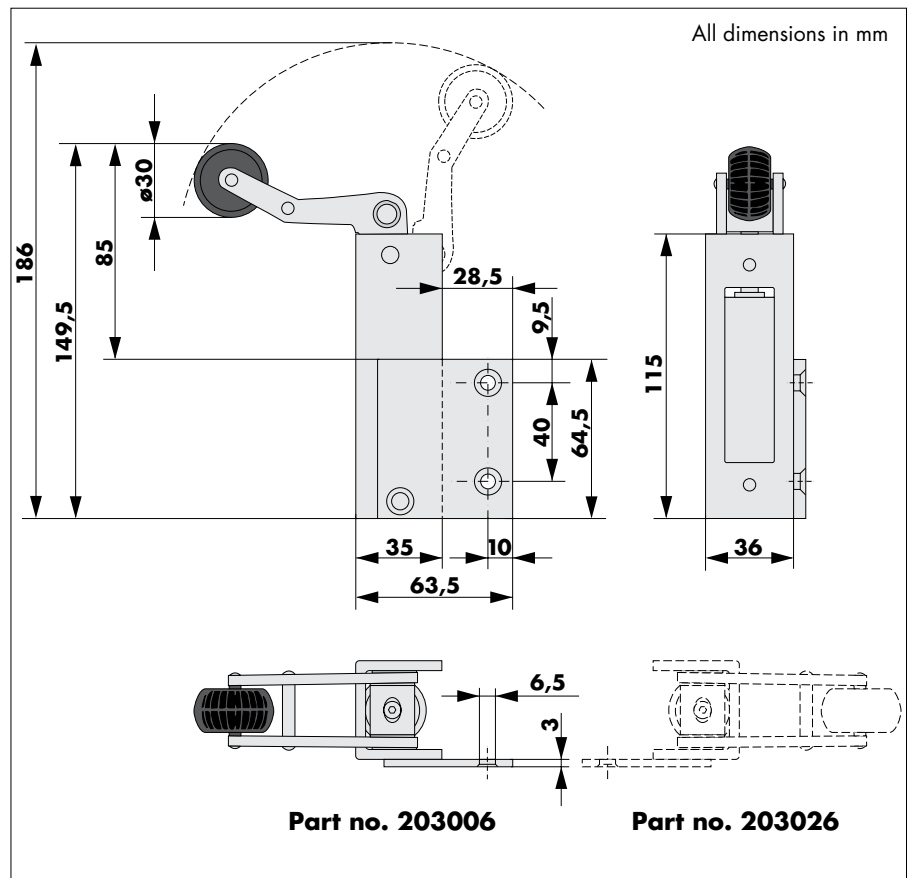


## Standard Haushahn for Sliding Lift Doors

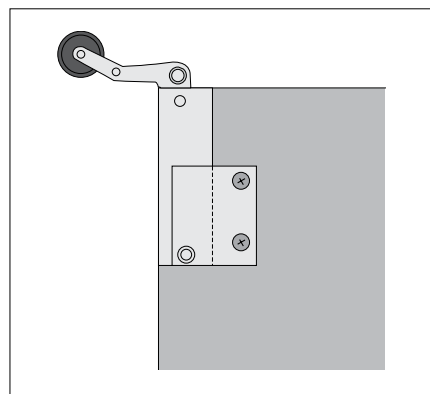
The Standard Haushahn door damper is used in Haushahn lift doors. Depending on the position of the vertical lateral fixing bracket this model is designed for **sliding lift doors** closing to the right or left.

Due to its conical damping cylinder the door damper has a progressive damping characteristic, thus damping and closing the door smoothly and quietly. It guarantees that the door is closed and kept closed even in strong draughts, thus making the door contacts work reliably with minimum wear. The special silicone oil is nearly unaffected by temperature changes and ensures the damping remains constant.

### Dimensions



### Installation



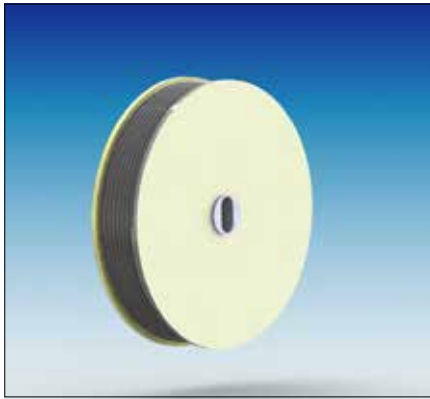
The Standard Haushahn door damper is fixed to the front of the sliding door. Its bracket is screwed laterally to the door with two M6 screws.

The damping can precisely be adjusted as required, following the instructions on page 01.020.00.

### Order Information

Standard Haushahn, 20 N, bracket on left (door closing to the left) part no. 203006

Standard Haushahn, 20 N, bracket on right (closing to the right) part no. 203026



## DICTATOR Spring Rope Pulleys for Sliding Doors

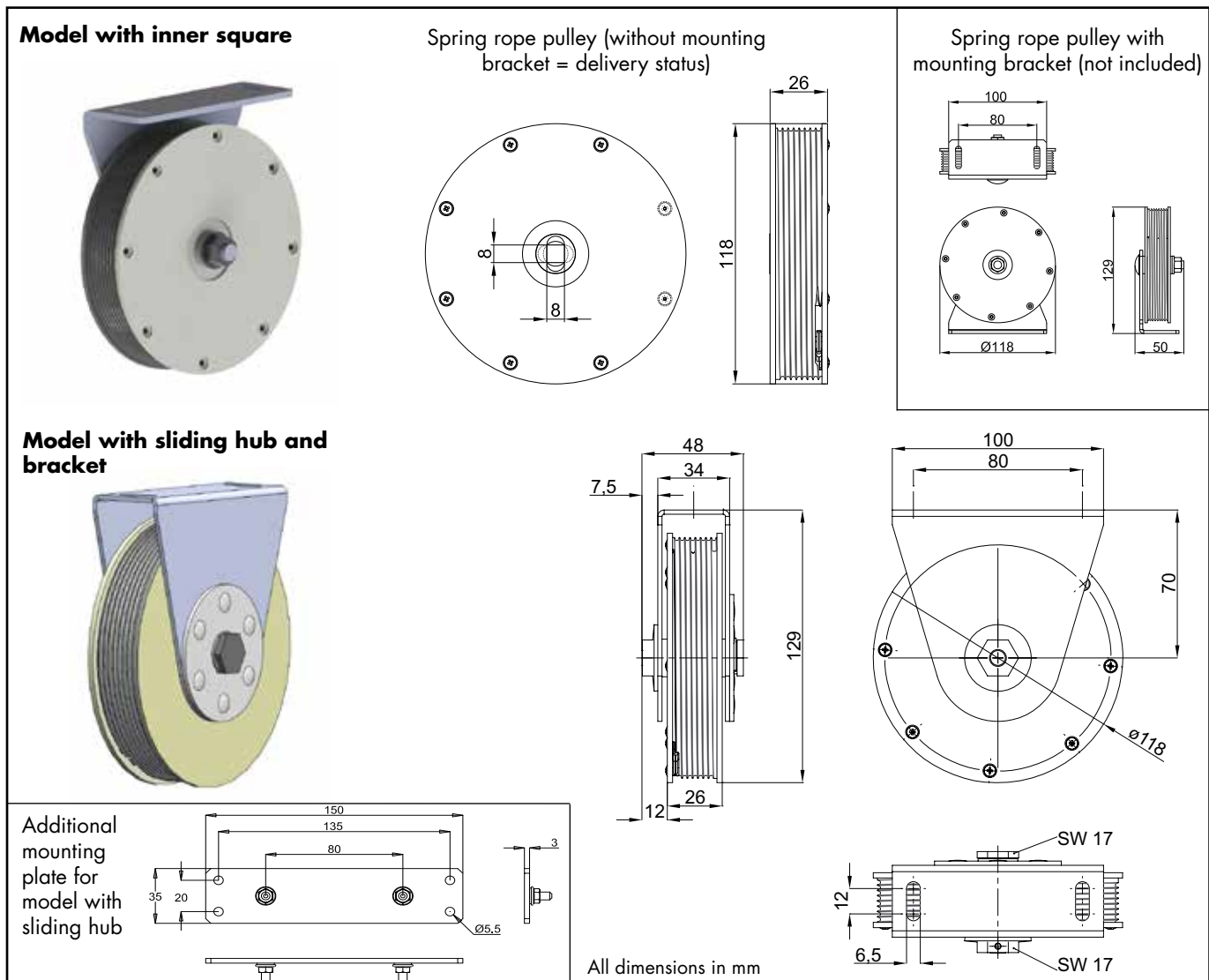
According to the EN 81-1/2, point 7.7.3.2. all landing doors driven by the car door have to be equipped with an additional mechanical closing device. An ideal solution represent the new models of the DICTATOR spring rope pulley with plastic casing. Due to the guide grooves for the plastic cable injected in the casing and an optimized bearing of the spring in the casing, they offer a very long operational life and an optimum functioning. Using a plastic casing and a plastic cable also considerably reduces the noise.

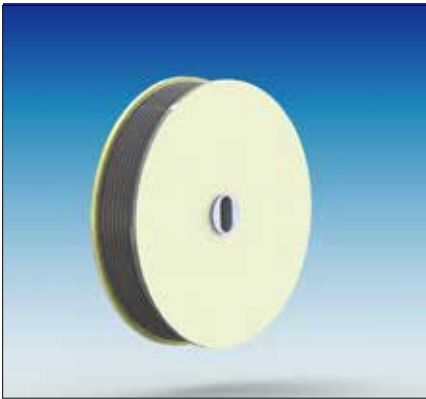
### Models

The plastic spring rope pulleys are available with different hubs, depending on the intended type of mounting and the requested handling comfort.

- Hub for mounting on an 8 mm square bolt or with a M8 bolt with square neck DIN 603 (both to be provided on site). For this model a mounting bracket is available, part no. 0700113, see drawing below.
- Sliding hub: this prevents the possible damaging of the spring during tensioning or releasing. The spring rope pulley with sliding hub is always provided with a bracket (zinc-plated or AISI 304). Mounting on the wall or ceiling is much more easier when fixing the bracket to the separately available mounting plate with headless pins.

### Dimensions



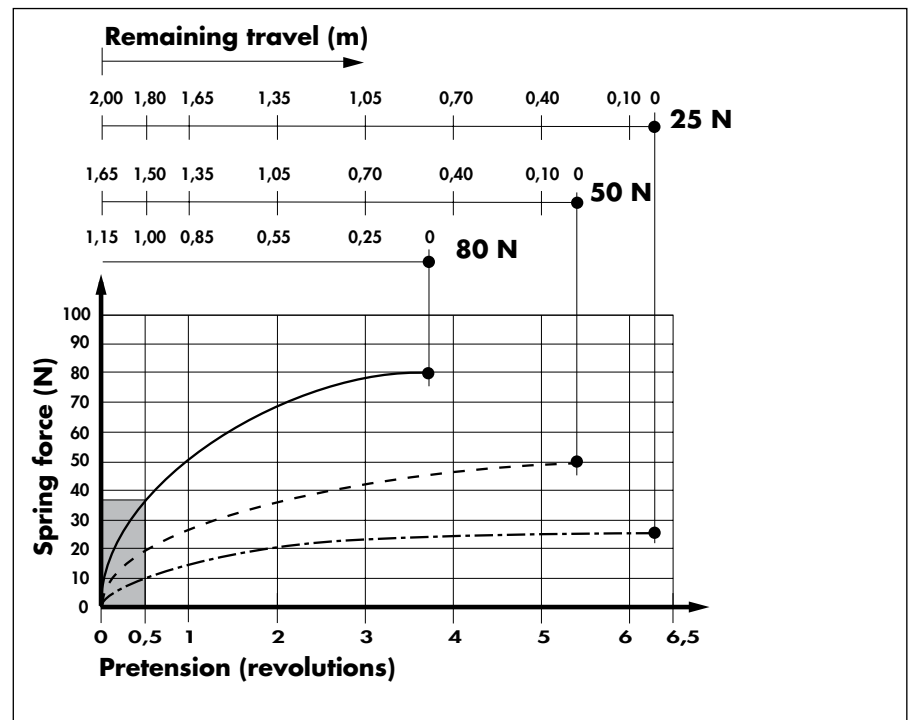


## DICTATOR Spring Rope Pulleys for Sliding Doors - cont.

For an optimum functioning of the spring rope pulley the door has to be as smooth-running that the force of the mounted spring rope pulley is sufficient to move the door from every position. If you are unsure, we recommend you measure the force required to move the door with a spring balance.

As a general rule applies, the higher the force of the spring rope pulley, i.e. the more it is pretensioned, the shorter is the working distance.

### Force-Travel Diagram



### Technical Data

Material casing	flame retardant AQUAMID plastic
Rope	flame retardant Kevlar rope with polyester coat about Ø 2 mm, with cable eye stiffener (inner Ø about 5.5 mm)
Closing force	25 N - 80 N, depending on type

### Order Information

25 N spring rope pulley with inner square	part no. 070110
50 N spring rope pulley with inner square	part no. 070111
80 N spring rope pulley with inner square	part no. 070112
Mounting bracket for spring rope pulley with inner square, zinc-plated	part no. 070113
25 N spring rope pulley with sliding hub, bracket zinc-plated	part no. 070102
50 N spring rope pulley with sliding hub, bracket zinc-plated	part no. 070093
80 N spring rope pulley with sliding hub, bracket zinc-plated	part no. 070094
25 N spring rope pulley with sliding hub, bracket from AISI 304	part no. 070103
50 N spring rope pulley with sliding hub, bracket from AISI 304	part no. 070098
80 N spring rope pulley with sliding hub, bracket from AISI 304	part no. 070099
Mounting plate for spring rope pulley with sliding hub, zinc-plated	part no. 070114

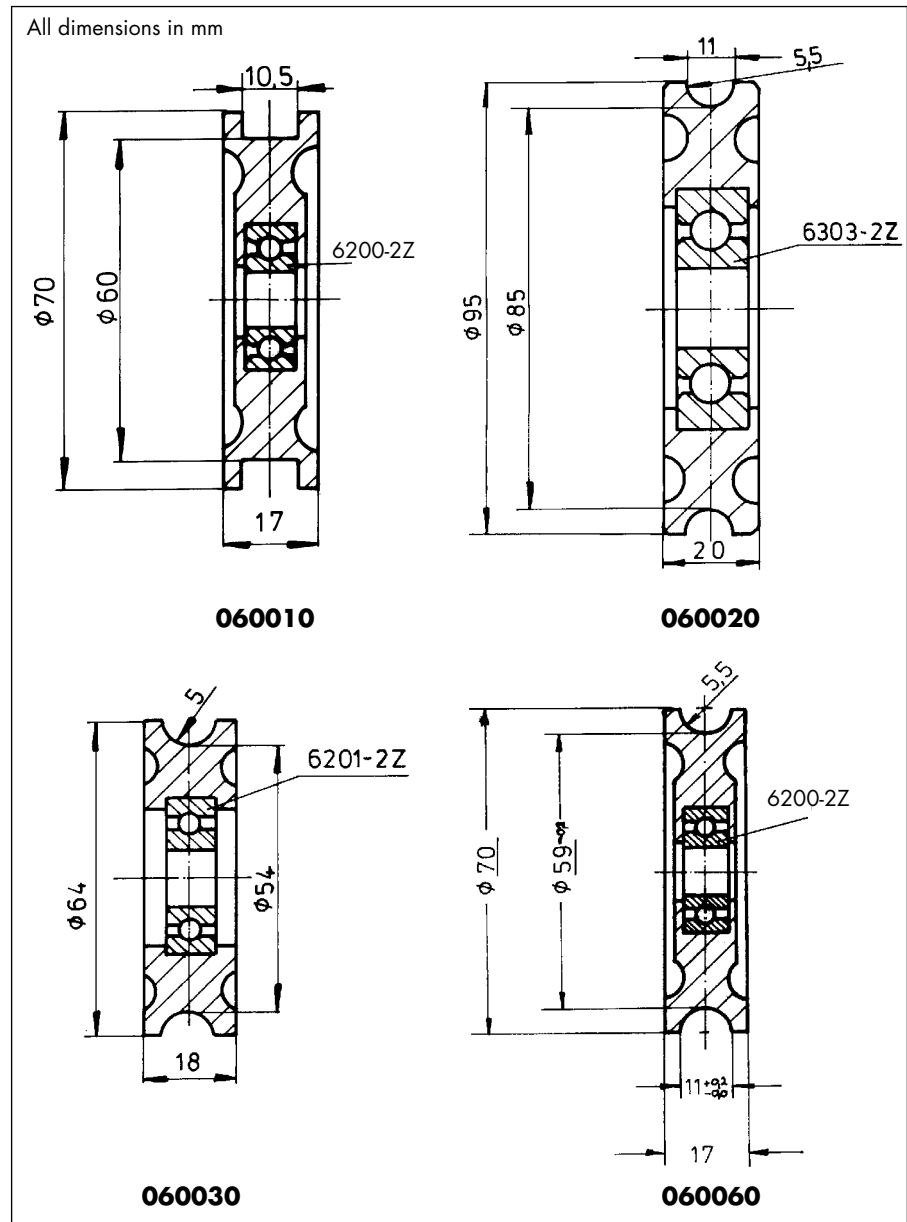


## DICTATOR Plastic Rollers for Sliding Doors

DICTATOR plastic rollers for sliding doors are produced with an integrated ball bearing. They are available in different diameters and grooves.

The drawings below show part of the DICTATOR plastic roller standard programme.

### Dimensions



### Order Information

$\phi 70$ plastic roller	part no. 060010
$\phi 95$ plastic roller	part no. 060020
$\phi 64$ plastic roller	part no. 060030
$\phi 70$ plastic roller	part no. 060060