

## Further Lift Accessories

In addition to the accessories for lift doors shown on the preceding pages DICTATOR furnishes also the **Novoperm magnet switches** for position control.

The **BA series magnet switches** are magnet switches with a slot that work independent of their position. They have been specially designed to fit the requirements of the elevator and conveyor system industry. The magnet system and the contact values ensure a particularly favourable switching-on and -off area.

The **R series magnet switches** are cylindrical proximity switches. The switching contact and the actuating magnet are mounted separately. The switching operation is triggered when the magnet approaches the magnet switch. Even when there is only little space, the R magnet switches are easy to fit.

**On demand** the following **products** are available:

- Louvered ceilings for lift cabins
- Spare parts for older lifts such as e.g. Schindler



### Summary

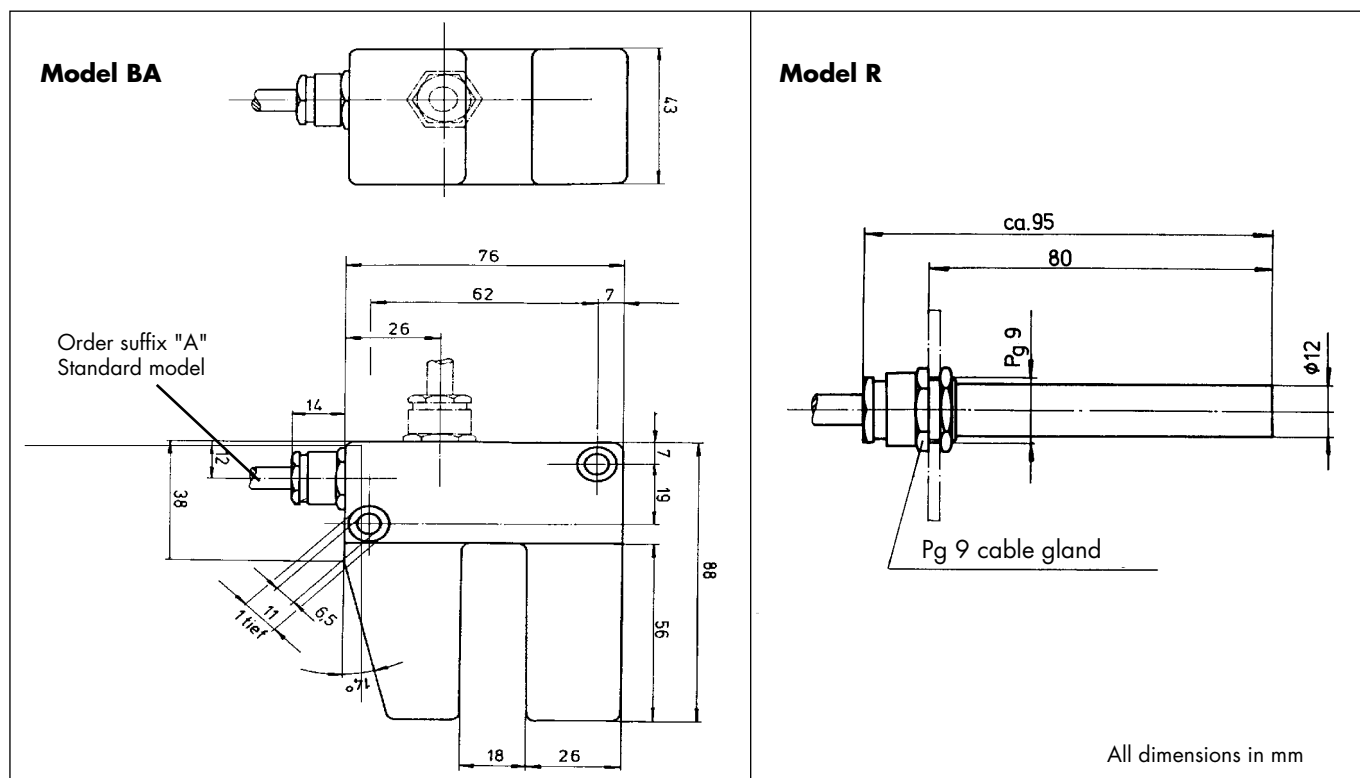
Novoperm magnet switches	page 01.056.00
DICTATOR louvered ceilings for lift cabins	on demand
Spare parts	on demand

## Magnet Switches

### Technical Data

	BA 30	BA 23S	R 33	R 34
Contact type	change-over	normally closed	change-over	change-over
Type of protection	IP 60			
Switching power max.	30 W/60 VA	100 W	120 W/120 VA	80 W/80 VA
Switching voltage max.	230 VAC	400 VAC	250 VAC	250 VAC
Switching current max.	1 A	3 A	3 A	1,3 A
Switching time	< 4 ms	< 4.5 ms	< 3.5 ms	< 3.5 ms
Contact bouncing time	< 0,5 ms			
Switching frequency	100 Hz			
Mechanical contact lifetime	10 <sup>9</sup> switchings			
Connection cable (sealed in)	2,5 m	2,5 m	1,0 m	1,0 m
Operating temperature	-40 °C to +60 °C			

### Dimensions



### Order Information

NOVOPERM BA 30 magnet switch	part no. 050029
NOVOPERM BA 23-S magnet switch	part no. 700123
NOVOPERM R 33 magnet switch	part no. 050036
NOVOPERM R 34 magnet switch	part no. 050037
Further models on request	