

DICTATOR V 1600 Door Check

For Interior, Exterior and Fire Protection Doors

The V 1600 is specified for interior and exterior doors. It has the same patented, hidden fixing system as the VS 2000 door check. Its cylinder is completely cased, too.

The V 1600 door check is appropriate for the installation on recessed doors. For this kind of door it is furnished with a special hook (type 1011).

In addition to the chromed or colour coated models, the door damper V 1600 is available also in stainless steel. If stainless steel is required for optical reasons only, on demand there is available a more economic version with zinc-plated steel cylinder.

The door damper is designed for installation on the face of the door. By default it is mounted vertically. For horizontal mounting you need a special "H" model.

The special model V 1600F has in Germany been approved for the mounting on fire and smoke protection doors. More information is to be found two pages ahead.



Technical Data

Types of doors	left and right operating, overlapping, flush, recessed
Closing force	20, 50, 80 or 115 N (measured on the door damper)
Damping characteristics	progressive, adjustable closing speed
Damping fluid	silicone oil, almost independent of temperature
Components included	door damper, hook, screws
Material	steel or stainless steel (satin)
Finish (steel)	polished and satin chrome, golden, colour coated
Recommended accessories	Piccolo or Concealed jamb closer closing spring



V 1600 Door Check

Mounting and Dimensions

The V 1600 door damper is fixed by its mounting plate which afterwards cannot be seen any more.

In case the door check is intended for a horizontal mounting position, the special models marked with the letter "H" (horizontal) in the article name have to be chosen. For the horizontal mounting a mounting plate with the part no. 205463 is available (for dimensions see page 02.024.00).

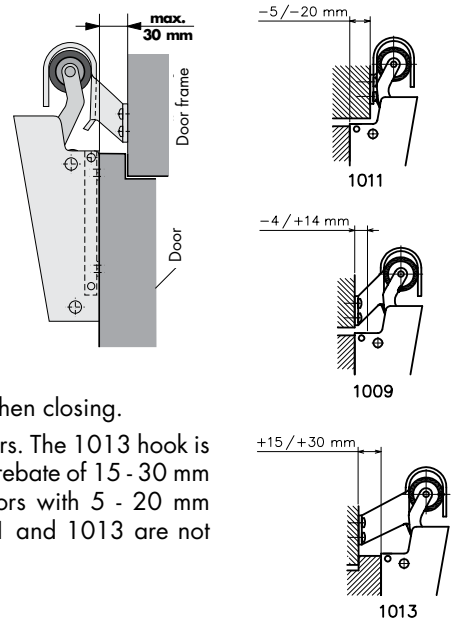
If the V 1600 shall be mounted on an all-glass door, DICTATOR offers U profiles in stainless steel with the corresponding borings which are glued on the glass door (see page 02.023.00).

Mounting

To mount the V 1600 door damper unfold the mounting plate from the case and mark the oblong hole on the door (about 40 cm from the closing edge of the door). The upper edge of the mounting plate should overlap the upper edge of the door by about 2 mm. When it is in a completely vertical position, screw the plate to the door with all 4 screws $\varnothing 4.5 \times 19$. Now hinge the body down and clip into position.

The hook should be mounted so that the rubber roller on the bent operating lever only just touches its front edge when closing.

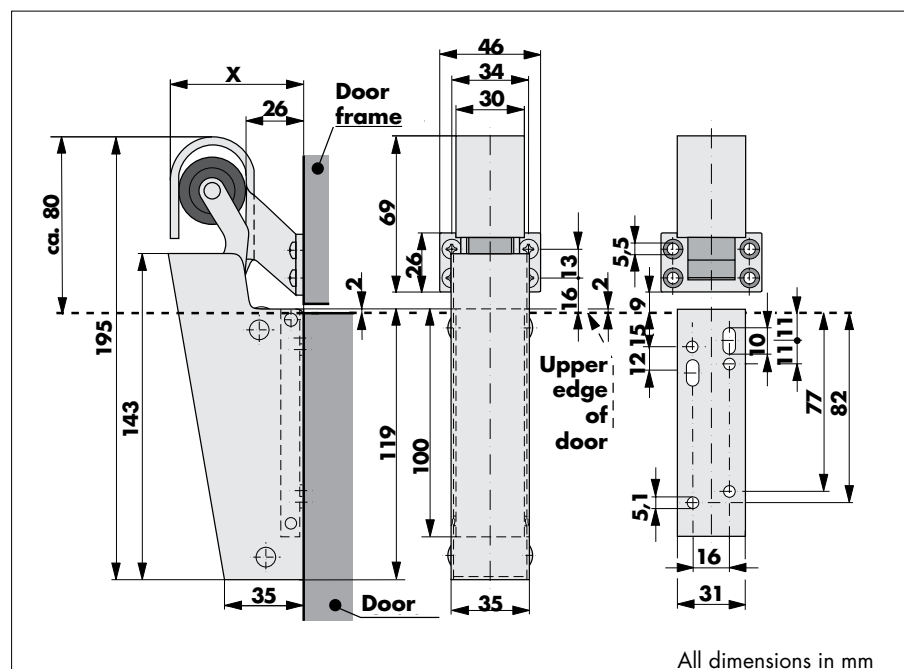
Please use the 1009 hook for flush doors. The 1013 hook is intended for overlapping doors with a rebate of 15 - 30 mm and the hook 1011 for recessed doors with 5 - 20 mm difference. At present the hooks 1011 and 1013 are not available in stainless steel.



Dimensions

Dimension X with

- **1009 hook** for flush doors
X = 59
- **1013 hook** for overlapping doors
X = 78
- **1011 hook** for recessed doors
X = 39





V 1600F Door Check

Door Check for Fire and Smoke Protection Doors

A special model of the V 1600 without adjustment and with strong spring has been tested for use on fire protection doors and has been issued test certificate no. P-120001480 by the German building authorities. It specifies the use of mounting plates (see below).

Before mounting the V 1600F door check on a fire or smoke protection door, it has to be checked whether the door check is listed in the approval of the door or whether there exists a manufacturer's declaration which allows to mount the door damper on the respective door. **With pleasure DICTATOR will check this with the respective door manufacturer.**

Door Makes with V 1600F Door Check

The number of manufacturers using the DICTATOR V 1600F door check on their fire and smoke protection doors is permanently increasing. Up-to-date information can be found on our website (www.dictator.de).



SCHÜCO

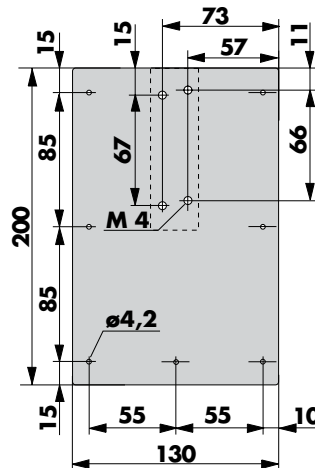
DOMOFERM 



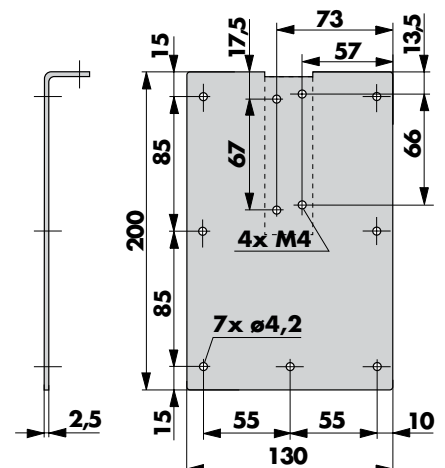
Mounting

When mounting on fire doors, it is obligatory to use a mounting plate as well for the door check as for the hook. This will assure a secure and permanent fixing and thus the perfect functioning.

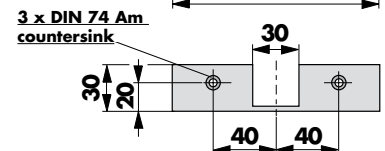
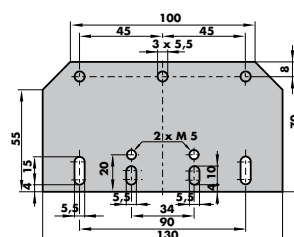
Mounting plate V 1600 for fire doors
part no. 205212



Mounting plate V 1600 for fire doors without rebate
part no. 205237



Mounting plate for V 1600F hook on fire doors
part no. 205231XL



Other points to be observed are included in the V 1600F mounting instruction and the documents of the door manufacturers.



V 1600 / V 1600F Door Checks

Part Numbers

The following list shows the most current types. Of course it is always possible to supply the door checks - except the stainless steel types - with the 1011 and 1013 hook types.

Various mounting plates are available for the installation on steel, glass and fire and smoke protection doors. For further information see page 02.021.00.

Order Information

(Further types on request)

Name	Hook type	1009	1011	1013
V 1600 door check	20 N, polished chrome	300464	**	300967
V 1600 door check	20 N, satin chromed	300464X	**	300972X
V 1600H door check	20 N, polished chrome	300464W	**	**
V 1600H door check	20 N, satin chromed	300464WX	**	**
V 1600 door check	20 N, RAL 9010 white	300466L	**	**
V 1600 door check	20 N, RAL 9006 grey	300953	**	**
V 1600 door check	20 N, AISI 304	300610	-	-
V 1600H door check	20 N, AISI 304	300611	-	-
V 1600 door check	50 N, polished chrome	300460	**	300461
V 1600 door check	50 N, satin chromed	300460X	300457	300461X
V 1600H door check	50 N, polished chrome	300460W	**	300461W
V 1600H door check	50 N, satin chromed	300460WX		
V 1600 door check	50 N, RAL 9010 white	300466	**	300965
V 1600 door check	50 N, RAL 8017 brown	300454	300979	300966
V 1600 door check	50 N, RAL 9006 grey	300467	**	300964
V 1600 door check	50 N, golden shining	300468	**	**
V 1600 door check	50 N, AISI 304	300612	-	-
V 1600H door check	50 N, AISI 304,	300613	-	-
V 1600 door check	80 N, polished chrome	300480	**	300951
V 1600 door check	80 N, satin chromed	300480X	**	**
V 1600 door check	80 N, RAL 9010 white	300954	**	300968
V 1600 door check	80 N, AISI 304	300614	-	-

Note:

** available on request
V 1600H for horizontal mounting

Order Information

Model for Fire Protection

Name	Hook type	1009	1011	1013
V 1600F door check	80 N, polished chrome	300960	300963	300973
Mounting plate V 1600F for fire protection doors			part no. 205212	
Mounting plate V 1600F for fire doors without rebate			part no. 205237	
Mounting plate V 1600F for hook on fire doors			part no. 205231XL	