

DICTATOR R 1400 Door Check For Mounting on the Closing Face of the Door

The R 1400 door damper is especially designed to cope with situations where unobtrusive mounting on the **closing face of the door** is wanted or required for optical or practical reasons. All R 1400 door checks are furnished with a special cylinder which allows **vertical and horizontal mounting**.

Usually the R 1400 is mounted directly at the closing edge of the door. Therefore, mostly the 20 N spring is used to make sure the door can easily be opened.

Normally the **hook** of the R 1400 is mounted to the **frame from below or horizontally to its side**. In case of flush aluminium or plastics frames, however, there exists another possibility. Using a **special mounting bracket**, the hook can be mounted on the frame (see illustrations on the next page).

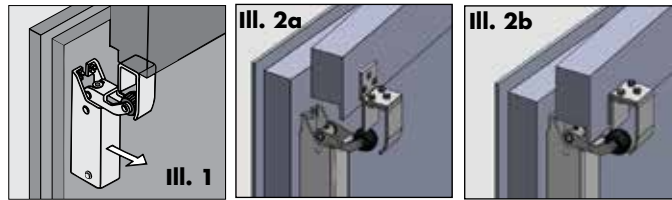
The R 1400 door check can be used on exterior and interior doors. For outdoor applications or in humid areas there are available models in stainless steel. If stainless steel is required for optical reasons only, we also furnish a more economic version with zinc-plated steel cylinder.



Technical Data

Types of doors	eft and right operating, overlapping, flush, recessed doors
Closing force	20, 50, 80 N (measured on the damper)
Damping characteristics	progressive, adjustable closing speed
Damping fluid	silicone oil, almost independent of temperature
Mounting possibilities	vertically or horizontally
Components included	door check, hook, screws
Material	steel or stainless steel
Finish	polished or satin chrome, golden shining, colour coated

Mounting



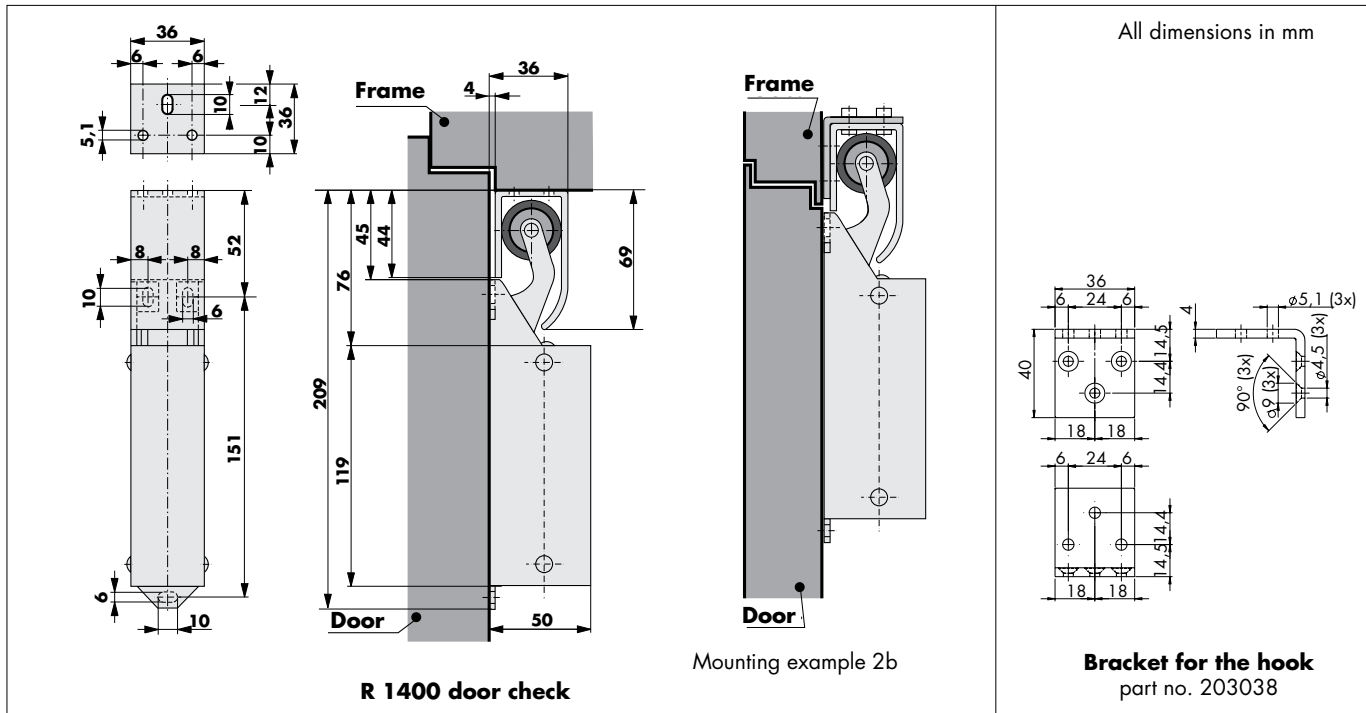
The R 1400 door damper is mounted on the "back" of the door. You can fix it either vertically or horizontally.

There are **two fixing possibilities** for the hook:

- The hook is fixed to the frame from below or horizontally to its side (ill. 1).
- On flush doors with a plastics or aluminium frame, the hook can also be fixed on the frame using the mounting bracket (see below) (ill. 2a/b).

Important: Because of the hook protruding in the doorway, especially in ill. 1 and 2a, and the connected risk of injury, the R 1400 door damper should always be mounted at the side, approx. 8 mm from the closing edge of the door.

Dimensions



The R 1400 door check is available only with the hook type 1014.

Order Information

(Further types on request)

R 1400 door check, hook 1014, 20 N, polished chrome	part no. 300387
R 1400 door check, hook 1014, 20 N, satin chromed	part no. 300387X
R 1400 door check, hook 1014, 20 N, RAL 9010 white	part no. 300471
R 1400 door check, hook 1014, 20 N, RAL 8017 brown	part no. 300970
R 1400 door check, hook 1014, 20 N, golden shining	part no. 300473
R 1400 door check, hook 1014, 20 N, AISI 304 (completely)	part no. 300625
R 1400 door check, hook 1014, 50 N, polished chrome	part no. 300475
R 1400 door check, hook 1014, 50 N, satin chromed	part no. 300475X
R 1400 door check, hook 1014, 50 N, AISI 304 (completely)	part no. 300626
R 1400 door check, hook 1014, 80 N, polished chrome	part no. 300474
R 1400 door check, hook 1014, 80 N, AISI 304 (completely)	part no. 300627
Mounting bracket for hook 1014, AISI 304	part no. 203038