

## Universal Door Checks For Sliding Doors

When using a special mounting bracket, some of the DICTATOR door checks can also be mounted on **sliding doors**. The door damper itself is fixed laterally on the sliding door, the corresponding hook on the door frame.

On the last few centimeters the door check slows down the closing movement of the door and pulls the door firmly closed. The door cannot rebound and therefore reliably stays closed. Apart from this zone the door is completely free to move.

At the moment **brackets for mounting** the following two **door check models** on sliding doors are available:

- **Z 1000 door check** (model Z 1100)
- **V 1600 door check**: using the mounting bracket in AISI 304 the door damper V 1600 can now also be mounted on sliding doors. The mounting bracket completely covers the fixing plate of the casing thus creating an optical unit (see photo). When ordering your V 1600 model you just add the mounting bracket to your order.

For sliding doors usually the door checks with low closing forces are used as otherwise opening the door would require too much effort.



### Technical Data

Type of door	sliding door
Closing force	depending on model, recommended are 20 N
Door check models	Z 1100, V 1600
Material mounting bracket	AISI 304



## V 1600 Door Check

### With Mounting Bracket for Sliding Doors

By means of a special bracket the V 1600 door damper can also be mounted on sliding doors. The mounting bracket is made of stainless steel.

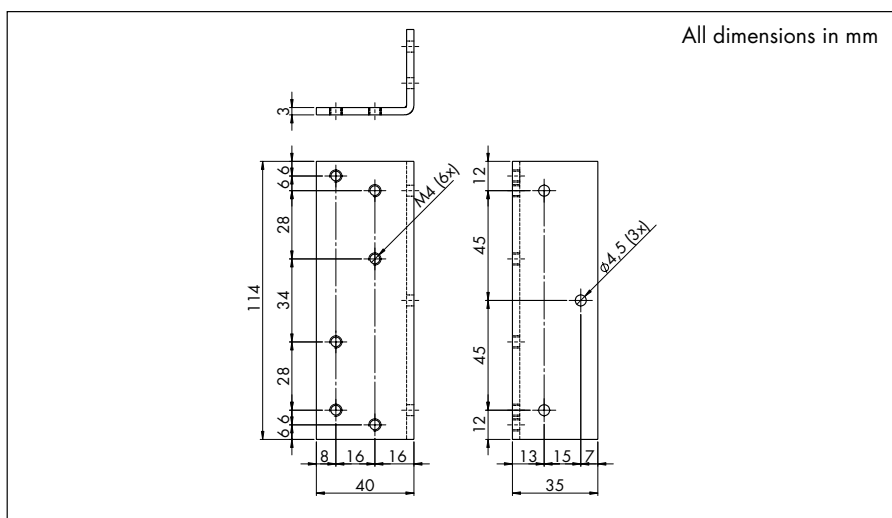
The V 1600 door check is fixed with its side on the sliding door. The hook is screwed to the door frame. When the sliding door is closing, the roller lever of the damper enters the hook shortly before the door is completely closed and thus provides for the controlled closing of the last part of the closing travel. The door cannot rebound and is always completely closed.

For detailed information about the V 1600 with dimensions and order information see page 02.007.00 et sqq.

## Functioning



## Dimensions Mounting Bracket



## Mounting

The mounting bracket for the V 1600 is screwed approx. 85 mm below the door frame on the door near its closing edge. The distance to the closing edge depends on whether the closed door just rests against the frame or enters in a recess.

Fold out the base plate of the door check and fix it to the bracket. Then hinge down the body of the door damper until it clips to its base plate.

To mount the hook bend the roller lever of the door check. For a start fix the hook to the frame only by using the two oblong holes so that it is in a line with the door damper and the rubber roller only just touches its front edge when closing. Only when the hook is optimally adjusted, fix it also through the two normal holes.

## Order Information

Mounting bracket sliding doors for V 1600, AISI 304

part no. 203037

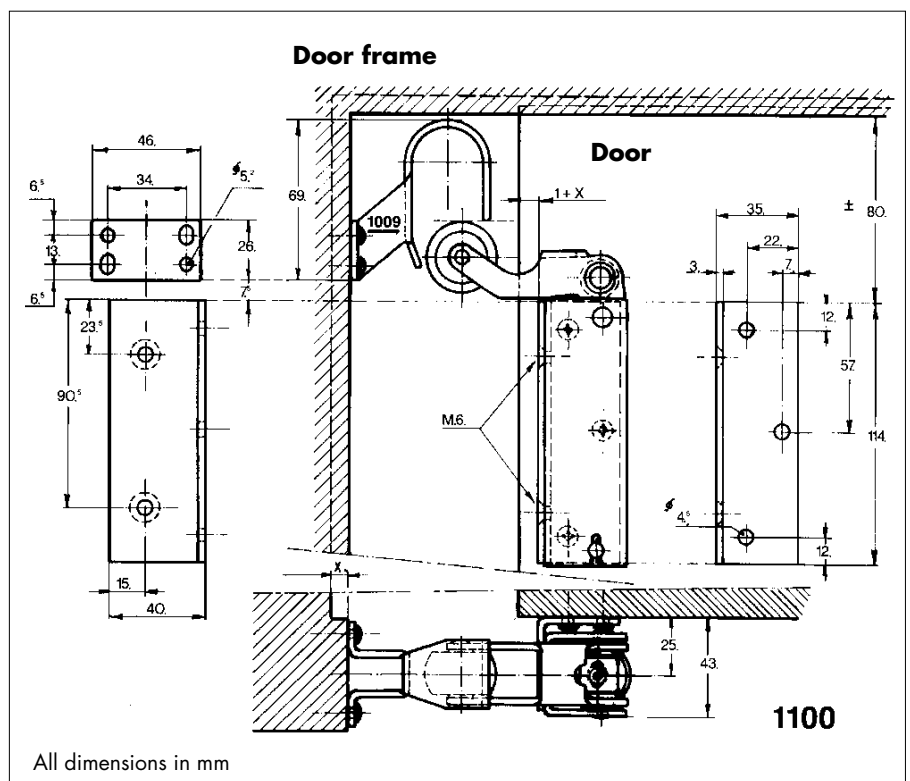


### DICTATOR Z 1100 Door Check For Room Sliding Doors

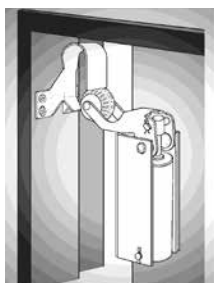
The DICTATOR Z 1100 door damper is a special version of the Z 1000 with mounting bracket designed for room sliding doors. The Z 1100 door damper slows down the closing speed on the last few centimetres and closes the sliding door completely. Especially with lightweight room doors this represents the ideal solution as normal final dampers, due to their integrated return spring (see Damping Engineering of our catalogue), might re-open these doors a little bit under unfavourable conditions.

The Z 1100 door damper comes with the 1009 hook (see page 02.016.00 for dimensions).

### Dimensions



### Mounting



The mounting bracket is screwed onto the sliding door about 1 mm from the closing edge and about 80 mm below the upper edge of the door. Fix the cylinder with the two bolts to the casing and then screw the door damper to the mounting bracket with two M6-screws. To determine the position of the hook, push down the roller lever. The roller should pass just below the front edge of the hook. Only use the two oblong holes when fixing for the first time. The two remaining screws can be used once you have adjusted the hook to the optimal position.

### Order Information

Z 1100 door check, 1009 hook, 20 N, nickel-plated	part no. 300367
Z 1100 door check, 1009 hook, 50 N, nickel-plated	part no. 300498
Z 1100 door check, 1009 hook, 80 N, nickel-plated	part no. 300499

each with a mounting bracket

