

## WAB 180 Floor Spring For Heavy-Duty Doors up to 600 kg

The DICTATOR WAB 180 floor spring has consistently proven its high reliability, particularly on heavy entrance doors such as those in churches, museums, public buildings etc.

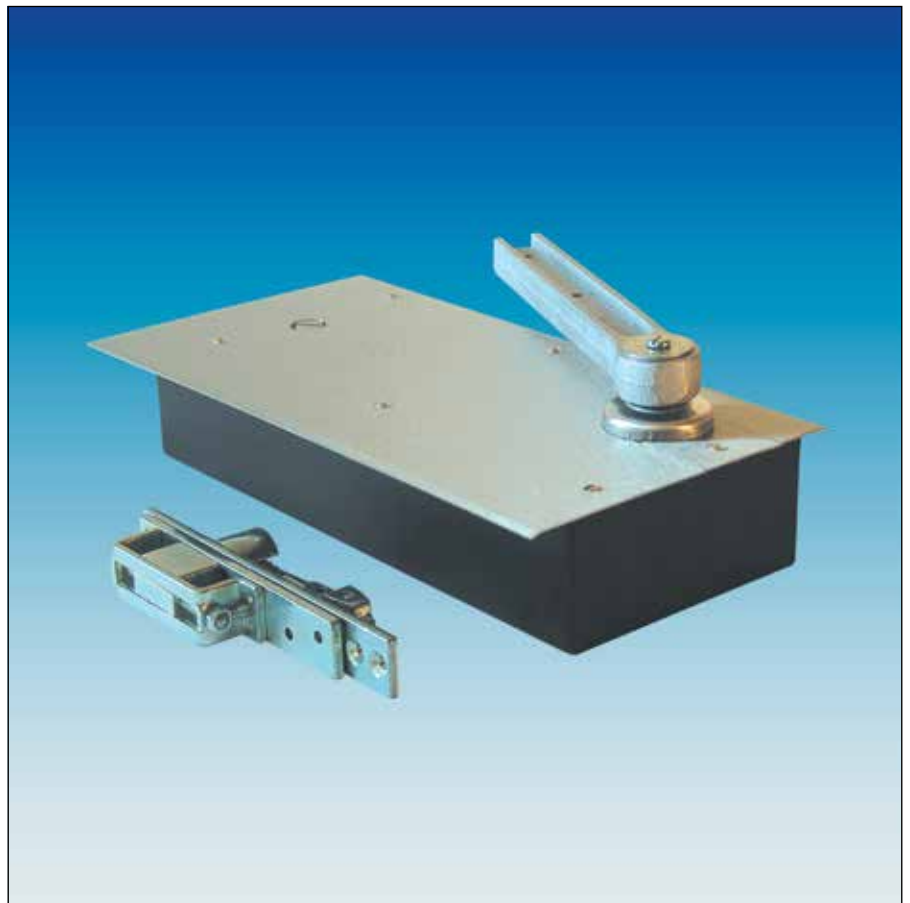
Many years of experience with door closers have resulted in a very sturdy and reliable design. Its special features include its high load capacity and long life.

The fact that the complete interior of the floor spring is filled with oil of low viscosity and a heavy duty axle bearing carries the load of the floor spring spindle, makes the WAB 180 SS suitable for doors up to 600 kg. It also guarantees its proper function during frequent operation and varying temperatures.

The closing speed can be continuously adjusted. An additional safety valve prevents vital parts of the floor spring from breaking, even when the door is forced shut.

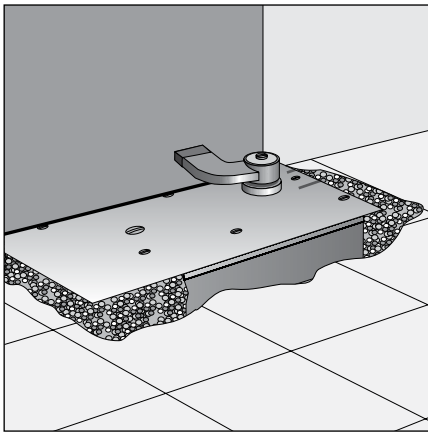
All floor springs come with an embedding box. Either for steel or wooden doors, different cover plates, pivot hinges and straps are available as extra accessories.

The WAB 180 is also available as a **mere floor support** for heavy doors where the closing function is not needed.



### Technical Data

Maximum door weight	500 kg (normal type), 600 kg (type "SS")
Types of doors	single action steel and timber doors
Closing function	starting at ca. 160° (door may be opened up to 180°)
Closing speed (standard)	continuously adjustable damping from 45° of closing angle
Force of floor spring	20 - 45 Nm
Cover plates	stainless steel, brass or aluminium
Further accessories	straps, pivot hinges, push lever



### Installation and Adjustment

Depending on the opening of the door you either need the right or left type of the WAB 180 floor spring. The designation DIN right or DIN left indicates the opening direction of the door when looked at from the side to which it opens. The right door leaf in the illustration below shows a door DIN right.

Usually the floor spring is installed parallel but shifted sideways to the door. But with the accessories straight strap and as upper hinge the swing hinge it is also possible to place its axle directly below the door.

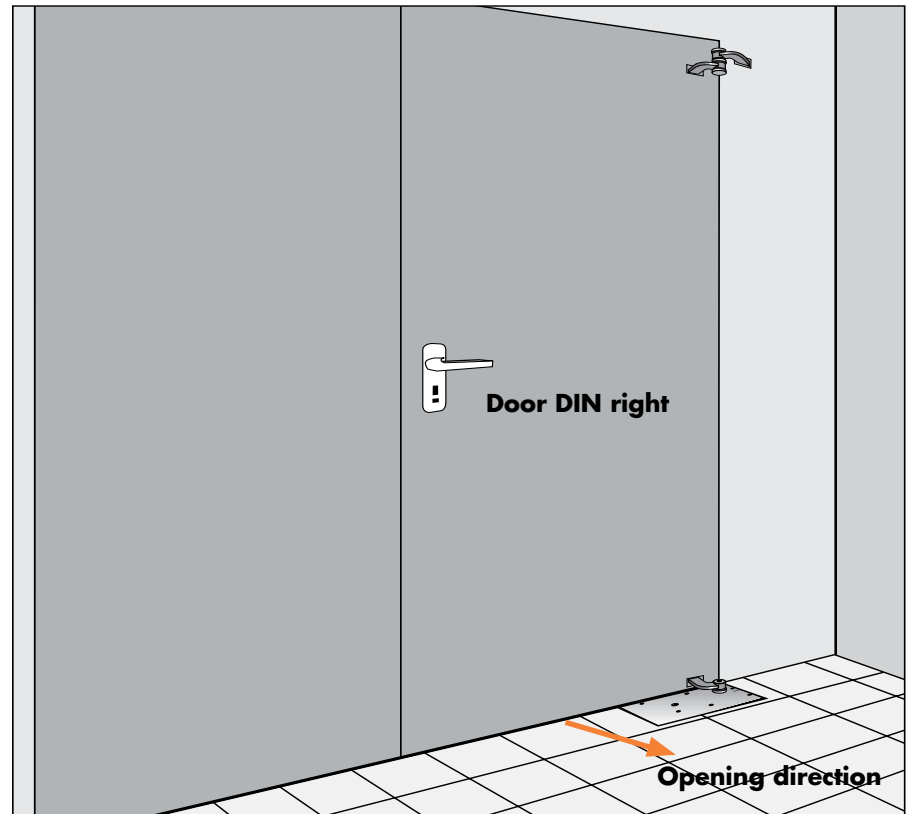
The closing speed (damping) can be adjusted continuously beginning with a closing angle of 45°. A special execution allows the continuous adjusting during the complete closing. The adjustment screw is located beneath a protection screw (see illustration on the next page). During adjusting this protection screw has to be taken out.

Please make sure that there is installed a limit stop in the closed position of the door.

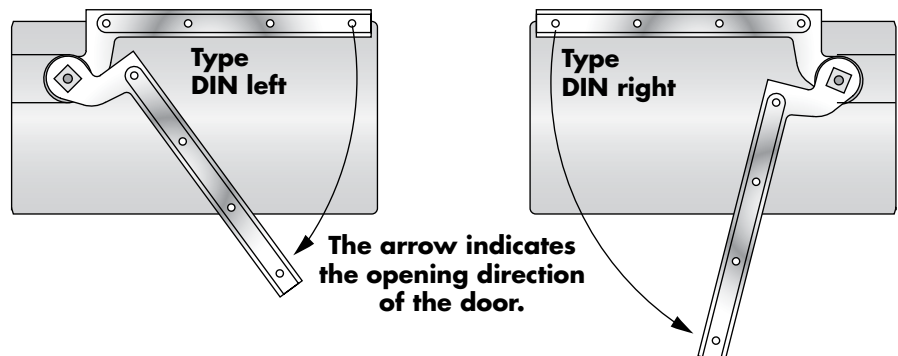
For double-leaf door installations there is needed a separate door sequence control.

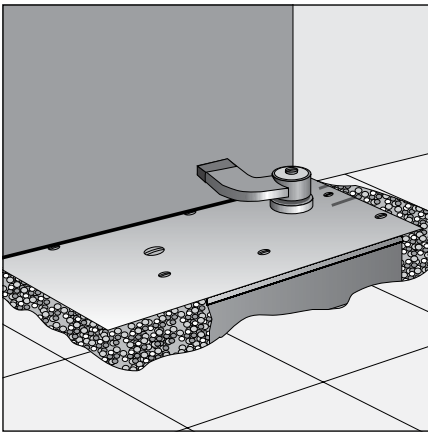
### ATTENTION:

### Opening Directions



### Types DIN Right and DIN Left





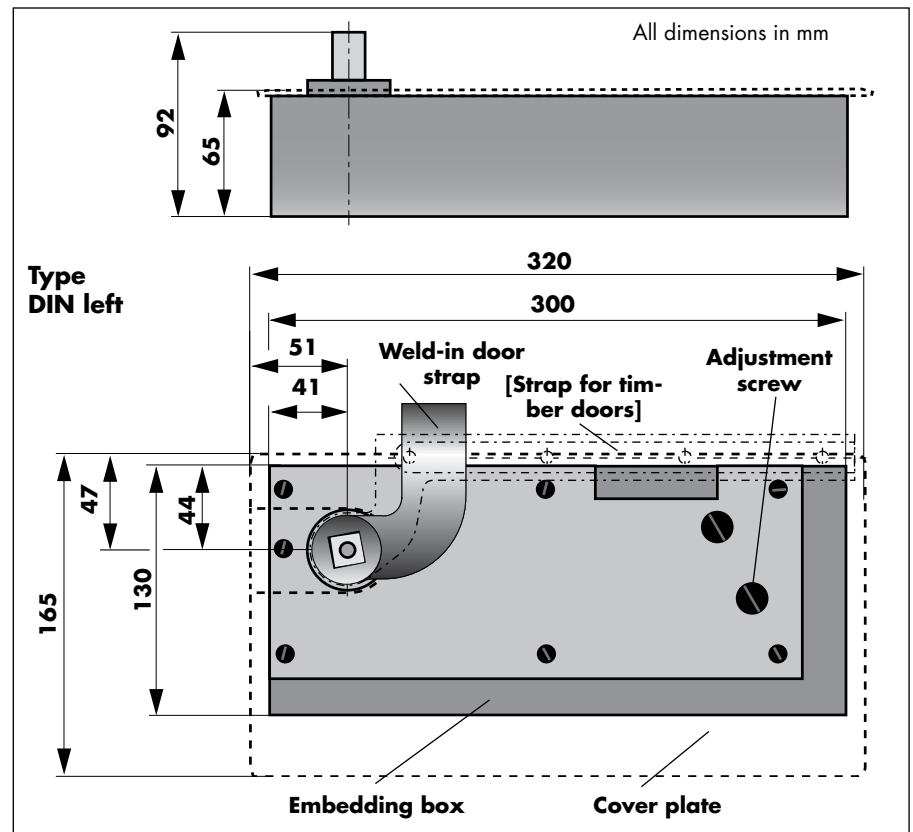
## WAB 180 Floor Spring - Selection Criteria, Dimensions

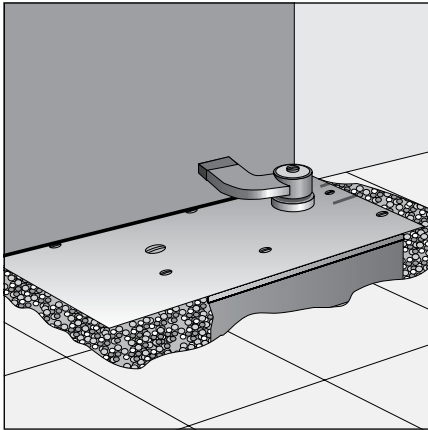
The WAB 180 floor spring is available in five different spring forces (size II - V for doors up to 500 kg, size VI up to 600 kg). In your order please indicate the dimensions and the weight of the door and the opening direction according to DIN (see preceding page). The following table will help you to choose the correct size for your application. All data refer to a maximum door height of 2.50 m, without wind load. In case of exterior doors exposed to wind or interior doors in surroundings with high pressure differences, please contact us.

### Selection Criteria

Weight of the door / kg	Door width / m	Size floor spring
100 - 200	up to 1.15	II
	up to 1.40	III
200 - 300	up to 1.15	III
	up to 1.40	IV
300 - 400	up to 1.15	IV
	up to 1.40	V
400 - 500	up to 1.40	V
	up to 1.55	type "SS", VI
500 - 600	up to 1.55	type "SS", VI

### Dimensions Floor Spring





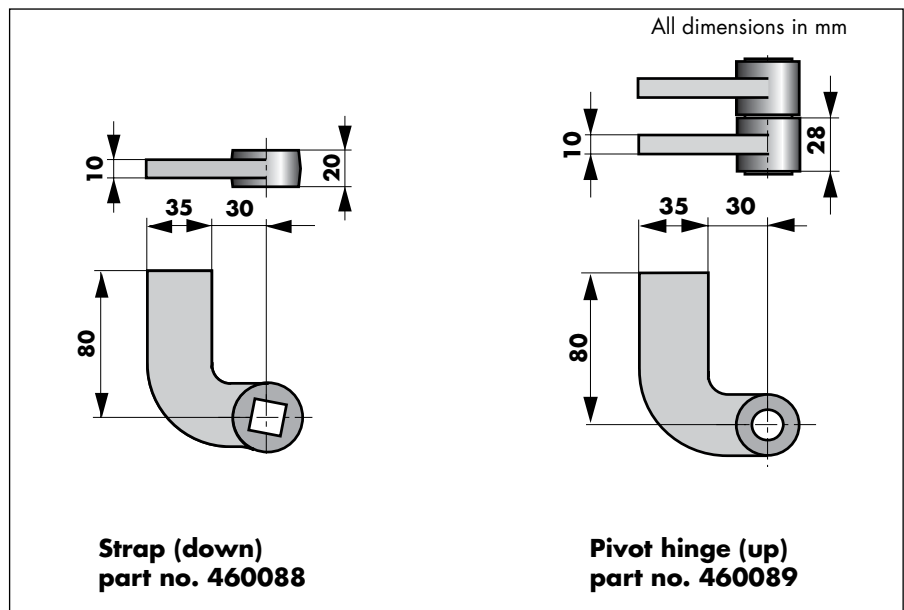
**Accessories**

There are various accessories available for the WAB 180 floor spring. The strap and pivot hinge to be used depend on the type of door and the installation situation of the floor spring. For steel doors there are provided weld-on fittings, for timber doors fittings to be screwed on.

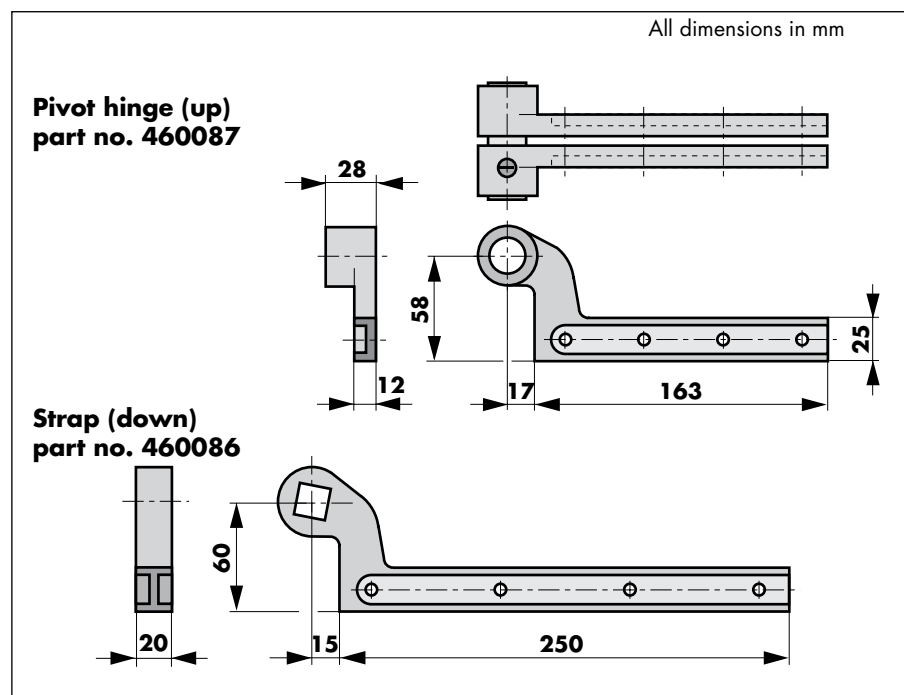
In case of very heavy doors you always should choose a pivot hinge with integrated needle bearing (see page 02.054.00) in order to achieve an optimum operation of the door.

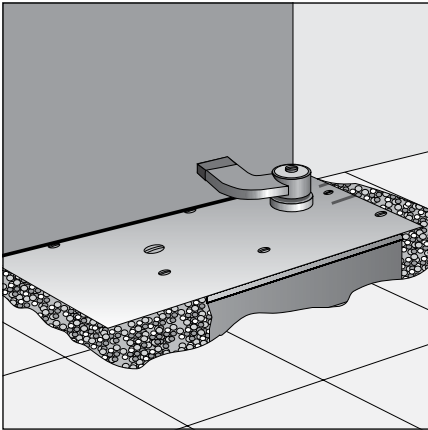
**The fittings shown on this page are used with floor springs sitting beside the door.**

**Dimensions  
Weld-on Fittings**



**Dimensions  
Screw-on Fittings**





### Accessories, continued

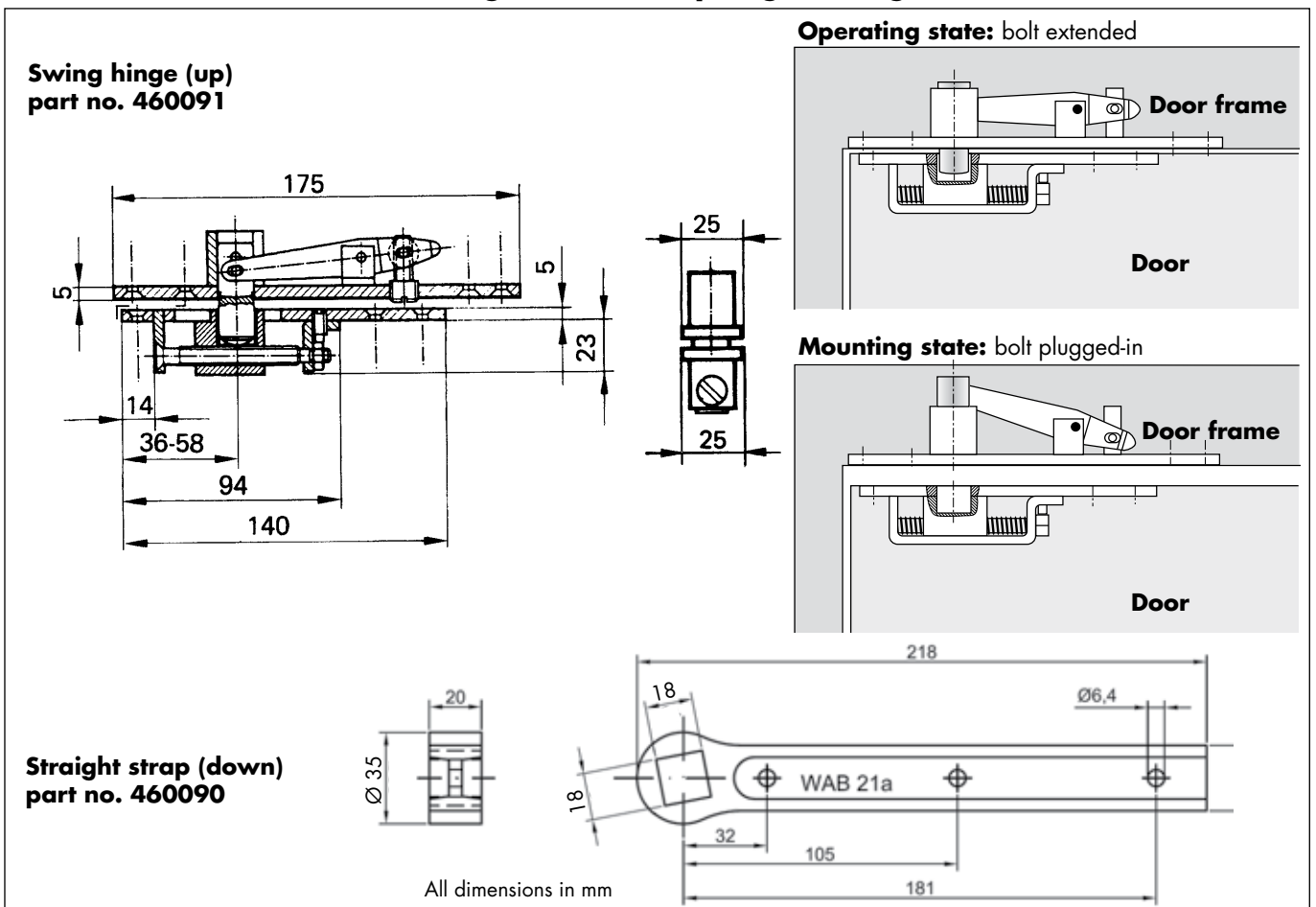
The fittings on this page are used when the floor spring is sitting below the door.

If the floor spring is installed directly below the door, the straight strap combined with the special swing hinge as upper hinge has to be chosen.

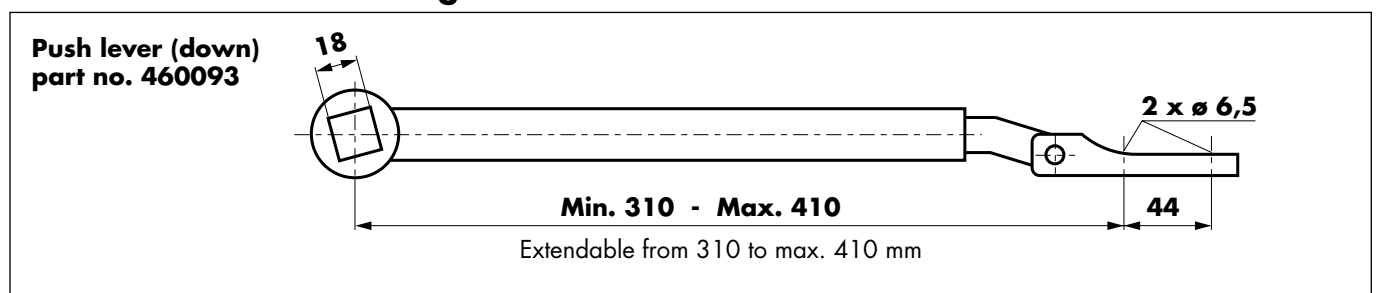
In case of doors with already existing hinges the WAB 180 floor spring is installed beside the door, using the push-lever to transmit the closing force of the floor spring to the door.

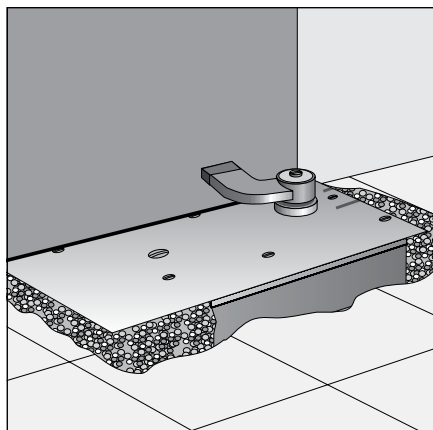
With these accessories the floor spring WAB 180 may be used **only for doors up to 300 kg**.

### Dimensions of Screw-on Fittings for Floor Springs Sitting below the Door



### Push Lever for Retro Fitting





## Order Information

Along with the floor spring itself an embedding box is delivered. The cover plate (aluminium, brass or stainless steel) as well as the strap and pivot hinge have to be ordered separately.

The embedding box can be grouted with paraffin (part no. 460097) to prevent corrosion from entered humidity.

Floor springs of the sizes II and III used on doors with max. 200 kg can be provided with a hold-open mechanism (between 90° and 160°). The exact hold-open position must be indicated in the order.

The WAB 180 is also available as a **mere floor support** for heavy doors where the closing function is not needed. It corresponds to the WAB 180 type "SS", but without spring.

## Components Included

Floor spring with powder-coated embedding box

## Order Information Floor Spring

WAB 180 floor spring size II DIN left	part no. 460002
WAB 180 floor spring size III DIN left	part no. 460003
WAB 180 floor spring size IV DIN left	part no. 460004
WAB 180 floor spring size V DIN left	part no. 460005
WAB 180 floor spring size II DIN right	part no. 460012
WAB 180 floor spring size III DIN right	part no. 460013
WAB 180 floor spring size IV DIN right	part no. 460014
WAB 180 floor spring size V DIN right	part no. 460015
WAB 180 floor spring type "SS" size VI DIN left	part no. 460056
WAB 180 floor spring type "SS" size VI DIN right	part no. 460066
WAB 180 floor support type "SS", DIN right	part no. 460070
WAB 180 floor support type "SS", DIN left	part no. 460071

## Order Information Accessories

Aluminium cover plate DIN left	part no. 460080
Aluminium cover plate DIN right	part no. 460081
Brass cover plate DIN left	part no. 460082
Brass cover plate DIN right	part no. 460083
Stainless steel cover plate DIN left	part no. 460084
Stainless steel cover plate DIN right	part no. 460085
Door strap for timber doors zinc-plated	part no. 460086
Pivot hinge for timber doors zinc-plated	part no. 460087
Pivot hinge for timber doors w. needle bearing for WAB 180 SS	part no. 460094
Door strap to weld-in	part no. 460088
Pivot hinge to weld-in	part no. 460089
Pivot hinge to weld-in with needle bearing for WAB 180 SS	part no. 460095
Straight strap for screwing on	part no. 460090
Special swing hinge for screwing on	part no. 460091
Push lever	part no. 460093
Paraffin to seal off the embedding box	part no. 460097