

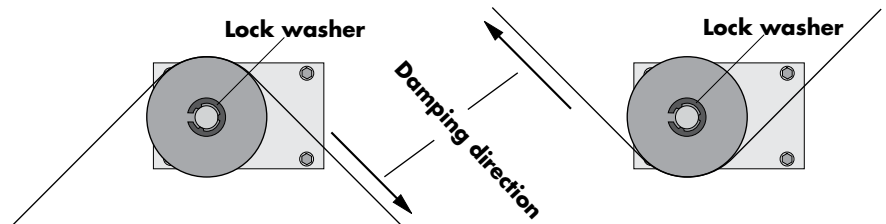


Installation and Operating Instructions

Basic Radial Damper Model with Toothed Wheel For Continuous Damping with a Revolving Chain

DICTATOR radial dampers provide continuous damping over unlimited distances. Although designed for sliding doors, they are also used on a variety of other applications (e.g. roller conveyors, chain hoists).

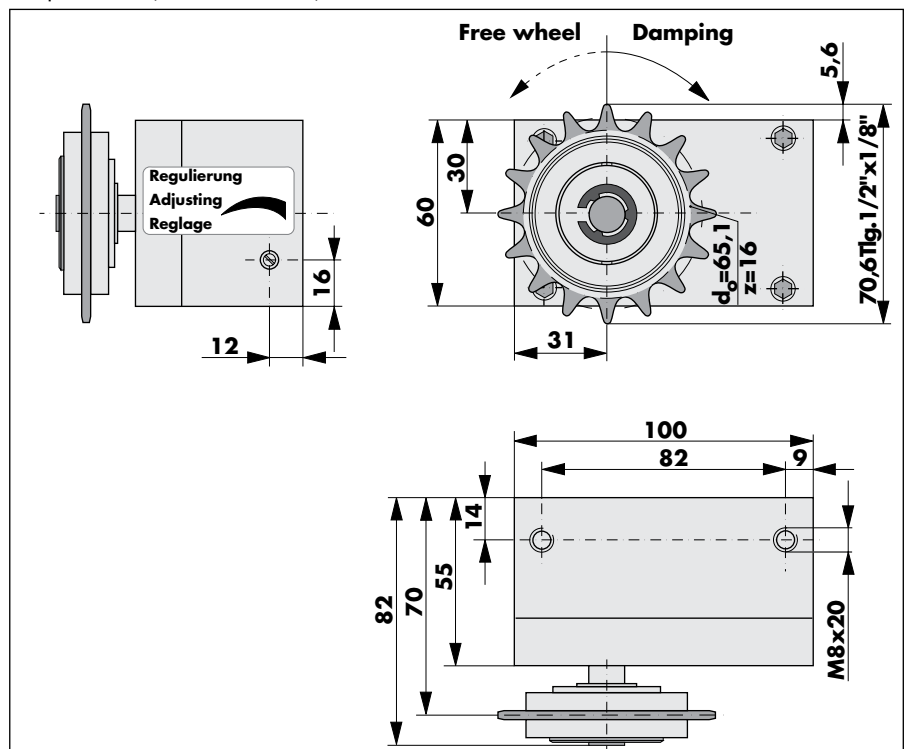
RD 240000 and RD 240017 radial dampers dampen by means of a revolving chain which runs around the toothed wheel (at least one quarter of the wheel should be in constant contact with the chain).



The diagram below shows the default damping direction of the wheel. The direction of damping depends on the direction the chain is run around the wheel. (Please see diagram above). If necessary, you can change the damping direction by removing the lock washer, taking off the wheel and replacing it on the axle the other way round. Make sure you put the lock washer on again.

By the adjustment screw you can adjust the damping force continuously. An internal thermostatic valve ensures that the closing speed remains the same under changing temperatures (-15° to +70 °C).

Dimensions



Order Information

RD 240000 radial damper, normal damping	part no. 240000
RD 240017 radial damper, soft damping	part no. 240017
Chain wheel	part no. 785972
Chain tensioner	part no. 710497
Chain (per meter)	part no. 220006
Chain joint	part no. 220007

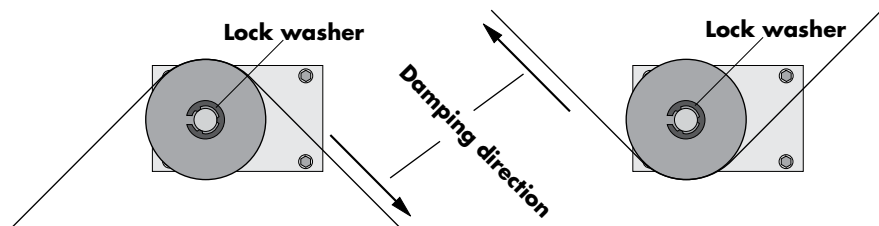


Basic Radial Damper Model with Rope Pulley For Continuous Damping with Rope

DICTATOR radial dampers provide continuous damping over unlimited distances. Although designed for sliding doors, they are also used on a variety of other applications (e.g. roller conveyors, chain hoists).

RD 240011 and RD 240013 radial dampers dampen by means of a revolving steel rope (\varnothing 3 mm) which runs around the pulley. Make sure that the rope is properly aligned on the wheel and correctly tensioned (e.g. with a DICTATOR rope tensioner).

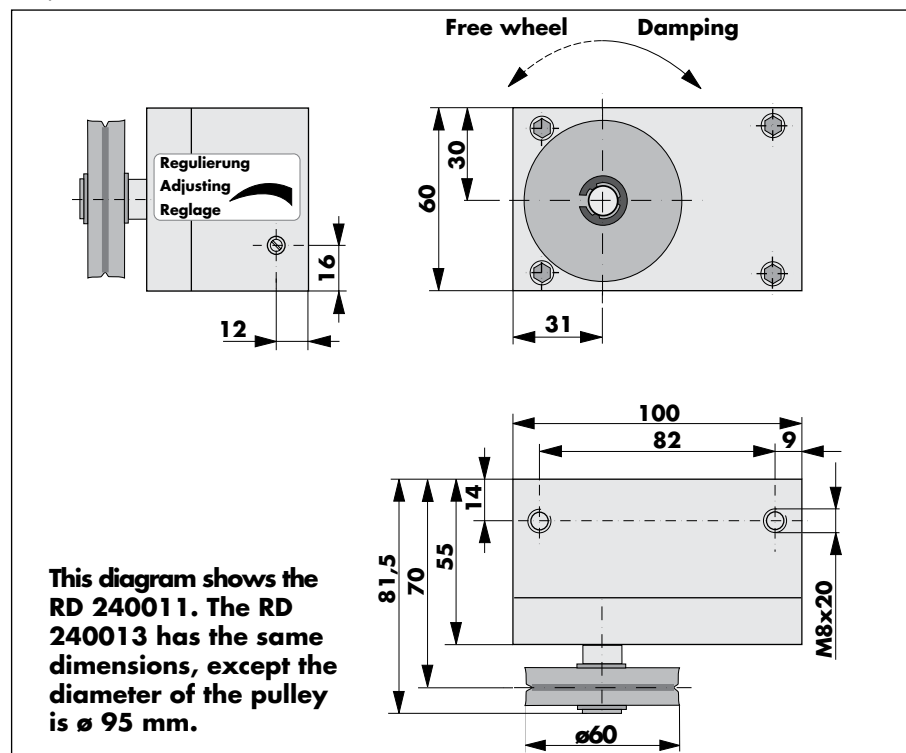
Mounting and Operating Instructions



The diagram below shows the default damping direction of the pulley. The direction of damping depends on the direction the rope is run around the pulley. (Please see diagram above). If necessary, you can change the damping direction by removing the lock washer, taking off the pulley and replacing it on the axle the other way round. Make sure you put the lock washer on again.

By the adjustment screw you can adjust the damping force continuously. An internal thermostatic valve ensures that the closing speed remains the same under changing temperatures (-15° to +70 °C).

Dimensions



Order Information

Radial damper with \varnothing 60 rope pulley	part no. 240011
Radial damper with \varnothing 95 rope pulley	part no. 240013
Pulley for rope	part no. 700530
25 m steel rope (\varnothing 3 mm)	part no. 700155
Rope tensioner with fixing bracket	part no. 700478

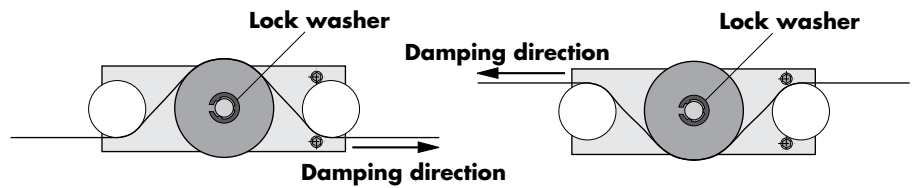


Mounting and Operating Instructions

RD 240001 Radial Damper For Continuous Damping with Tensioned Chain

DICTATOR radial dampers provide continuous damping over unlimited distances. Although designed for sliding doors, they are also used on a variety of other applications (e.g. roller conveyors, chain hoists etc).

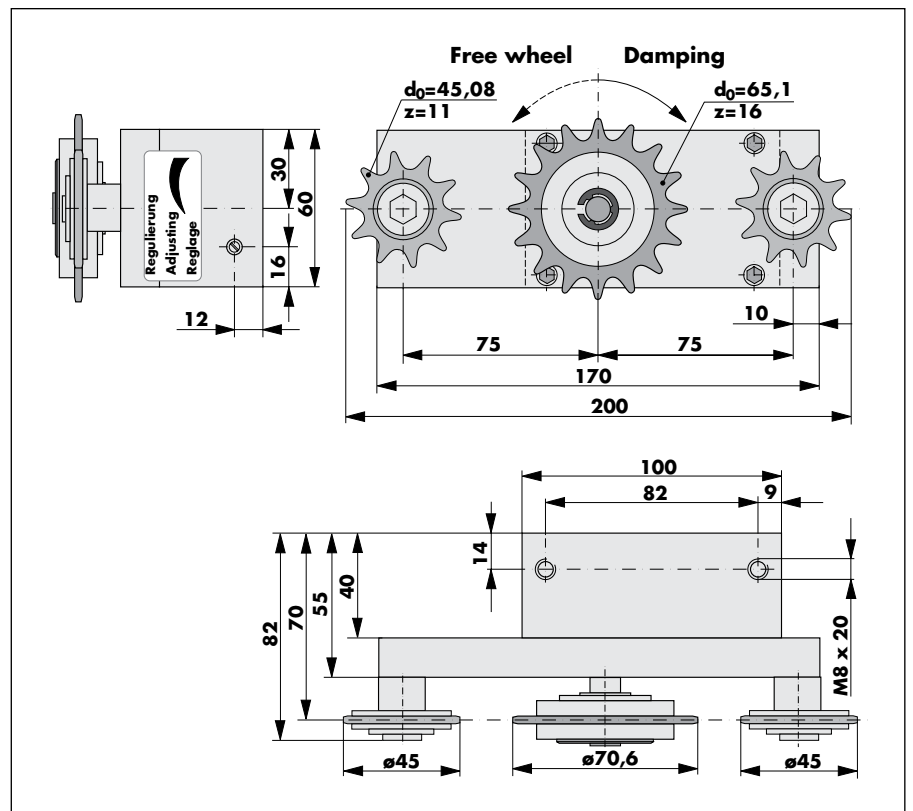
The RD 240001 radial damper dampens by means of a tensioned chain which is run around the three toothed wheels.



The diagram below shows the default damping direction of the wheel. The direction of damping depends on the direction the chain is run around the wheels. (Please see diagram above). If necessary you can change the damping direction by removing the lock washer, taking off the wheel and replacing it on the axle the other way round. Make sure you put the lock washer on again.

By the adjustment screw you can adjust the damping force continuously. An internal thermostatic valve ensures that the closing speed remains the same under changing temperatures (-15° to +70 °C).

Dimensions



Order Information

Radial damper for tensioned chain	part no. 240001
Chain (per meter)	part no. 220006
Chain tensioner (complete set)	part no. 220005



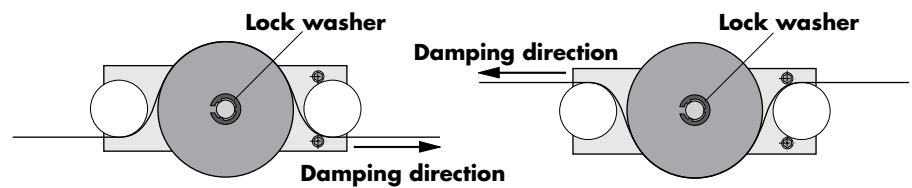
Mounting and Operating Instructions

RD 240003 and RD 240012 Radial Dampers

For Continuous Damping with Tensioned Rope

DICTATOR radial dampers provide continuous damping over unlimited distances. Although designed for sliding doors, they are also used on a variety of other applications (e.g. roller conveyors, chain hoists etc).

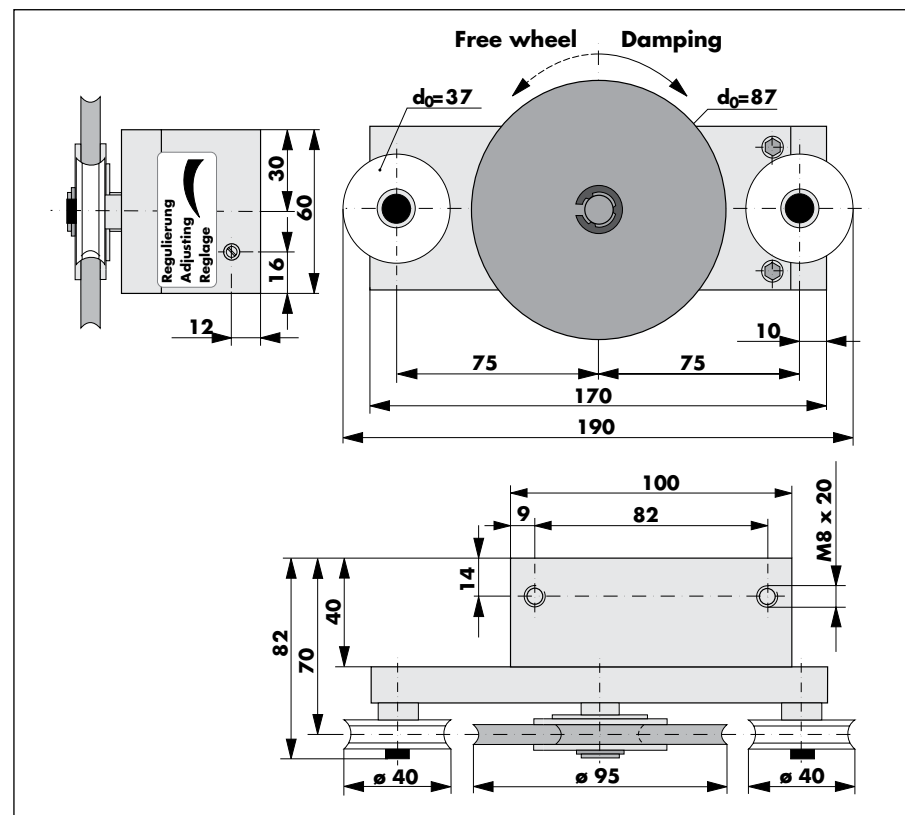
RD 240003 and RD 240012 radial damper dampen by means of a tensioned rope which is run around the three pulleys.



The diagram below shows the default damping direction of the pulley. The direction of damping depends on the direction the rope is run around the pulleys. (Please see diagram above). If necessary you can change the damping direction by removing the lock washer, taking off the centre pulley and replacing it on the axle the other way round. Make sure you put the lock washer on again.

By the adjustment screw you can adjust the damping force continuously. An internal thermostatic valve ensures that the closing speed remains the same under changing temperatures (-15° to +70 °C).

Dimensions



Order Information

Radial damper for tensioned rope, normal damping	part no. 240003
Radial damper for tensioned rope, soft damping	part no. 240012
Steel rope (length 25 m)	part no. 700155
Rope tensioner (complete set)	part no. 220005S

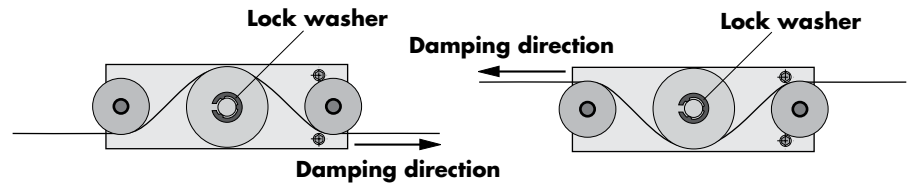


Mounting and Operating Instructions

RD 240004 Radial Damper For Continuous Damping with Tensioned Rope

DICTATOR radial dampers provide continuous damping over unlimited distances. Although designed for sliding doors, they are also used on a variety of other applications (e.g. roller conveyors, chain hoists etc).

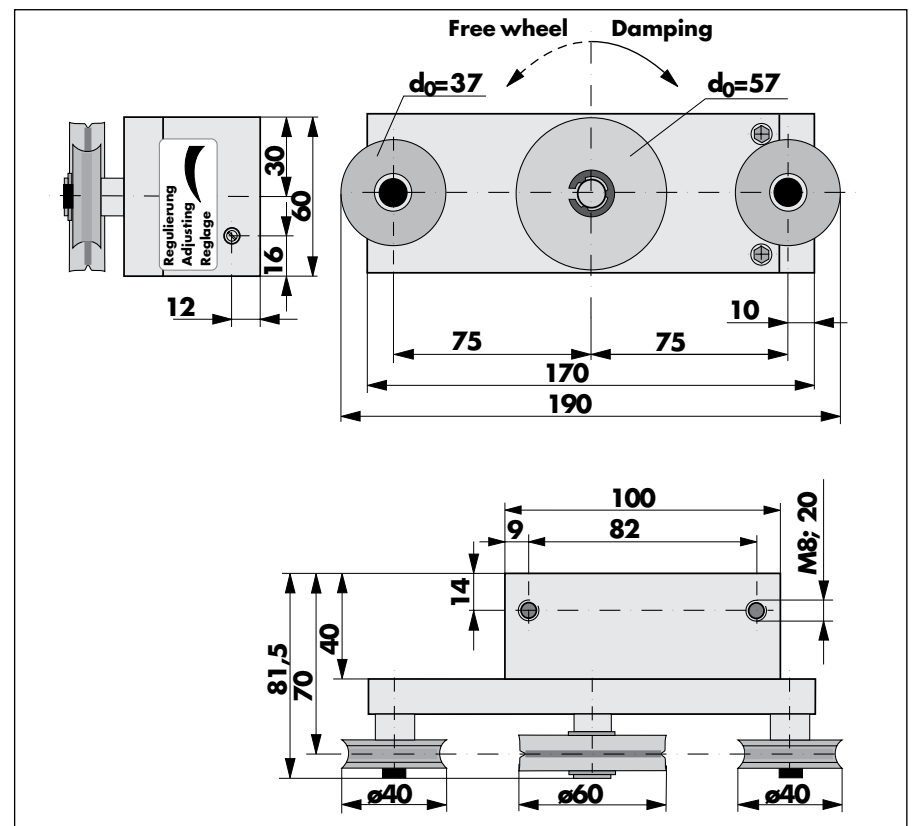
The RD 240004 radial damper dampens by means of a tensioned rope which is run around the three pulleys.



The diagram below shows the default damping direction of the pulley. The direction of damping depends on the direction the rope is run around the pulleys. (Please see diagram above). If necessary you can change the damping direction by removing the lock washer, taking off the centre pulley and replacing it on the axle the other way round. Make sure you put the lock washer on again.

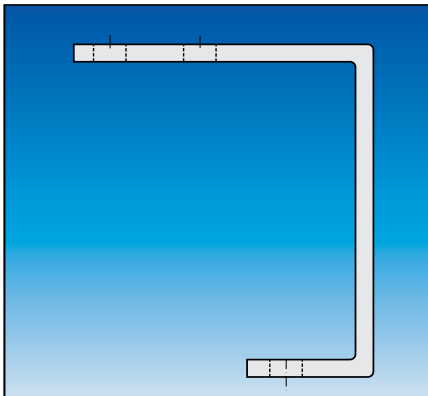
By the adjustment screw you can adjust the damping force continuously. An internal thermostatic valve ensures that the closing speed remains the same under changing temperatures (-15° to +70 °C).

Dimensions



Order Information

Radial damper for tensioned rope	part no. 240004
Steel rope (25 m long)	part no. 700155
Rope tensioner (complete set)	part no. 220005S



Bracket 240020 for the RD 240/241 Series

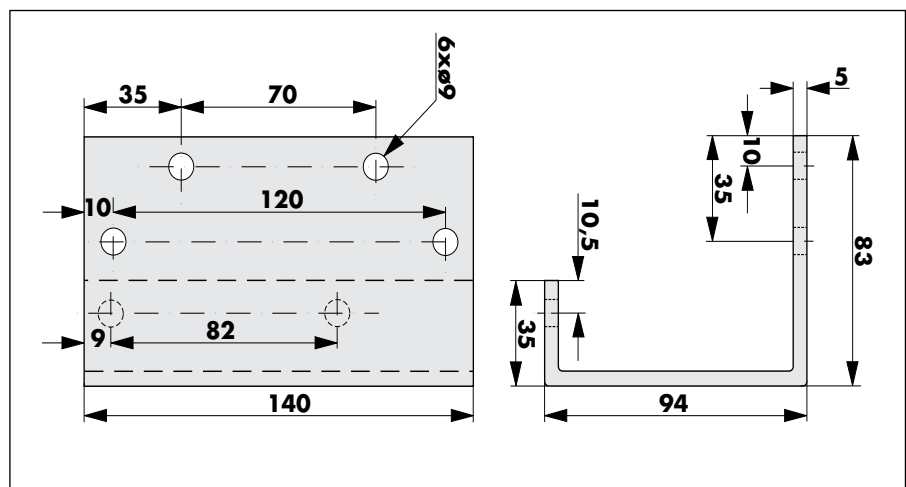
The bracket, part no. 240020, is designed to easily and reliably mount radial dampers of the RD 240/241 series to the door leaf, walls or solid beams that must not be punctured.

The DICTATOR RD 240/241 radial dampers are fixed either directly or to the bracket with their two M8 pocket hole threads (20 mm deep).

The bracket is by default zinc-plated.

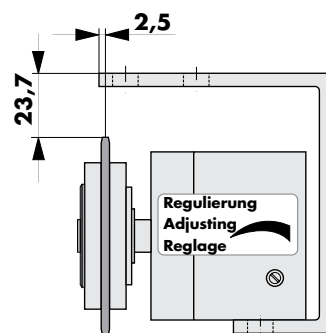
Other brackets can be manufactured to suit your requirements.

Dimensions Bracket

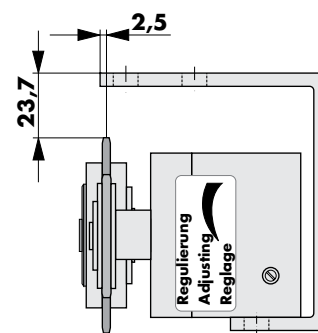


Dimensions Bracket with RD 240/241 Radial Dampers

RD 240000



RD 240001



RD 240003

