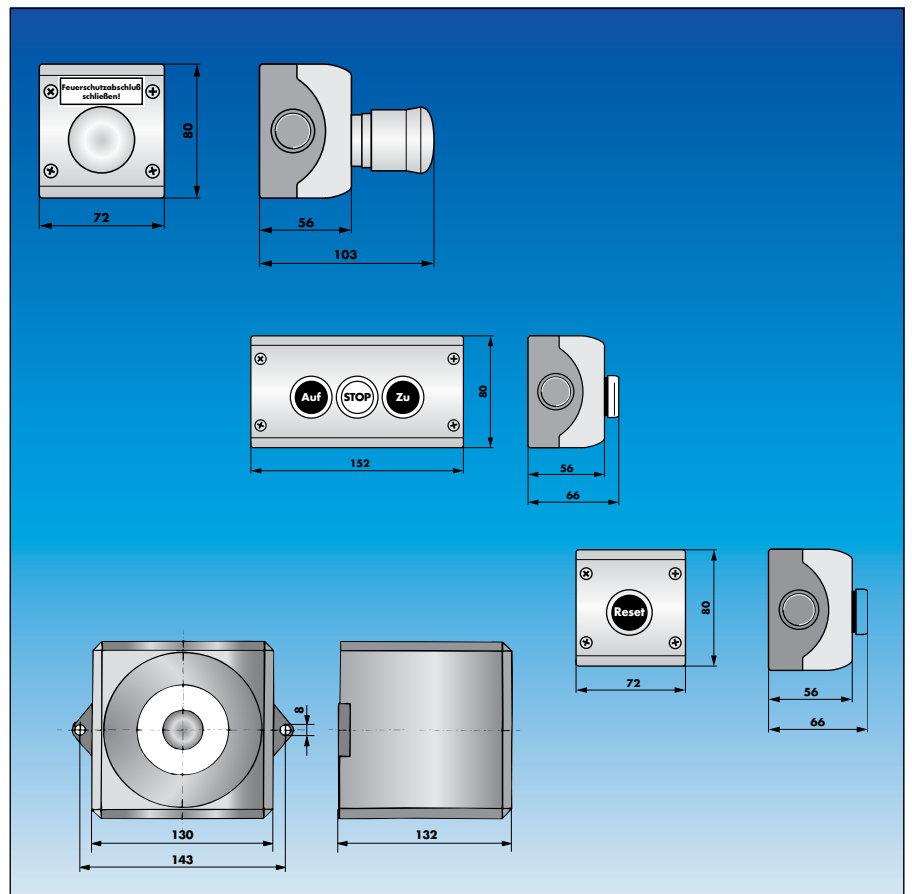


Safety and Operating Equipment for DICTAMAT Door Operators

On the following pages you will find a number of operating and safety equipment to go with the DICTATOR fire protection door operators. In case of special requirements please ask for an offer. When choosing the safety equipment you should observe the requirements of the relevant directives.

Please observe the maximum capacity of the binders in the control system. The power consumption of the connected devices must not exceed this value. An additional power pack should be ordered, if necessary. (Please see the chapter Fire Door Control Solutions in the DICTATOR catalogue).

More safety and operating elements can be found beginning on page 04.049.00 in the chapter Door and Gate Operators of the DICTATOR catalogue.



Summary

Signal control for fire protection doors	see page	07.021.00
Switches	page	05.072.00
Emergency-STOP switch, limit switch, main switch	page	05.076.00

Push Button Switches

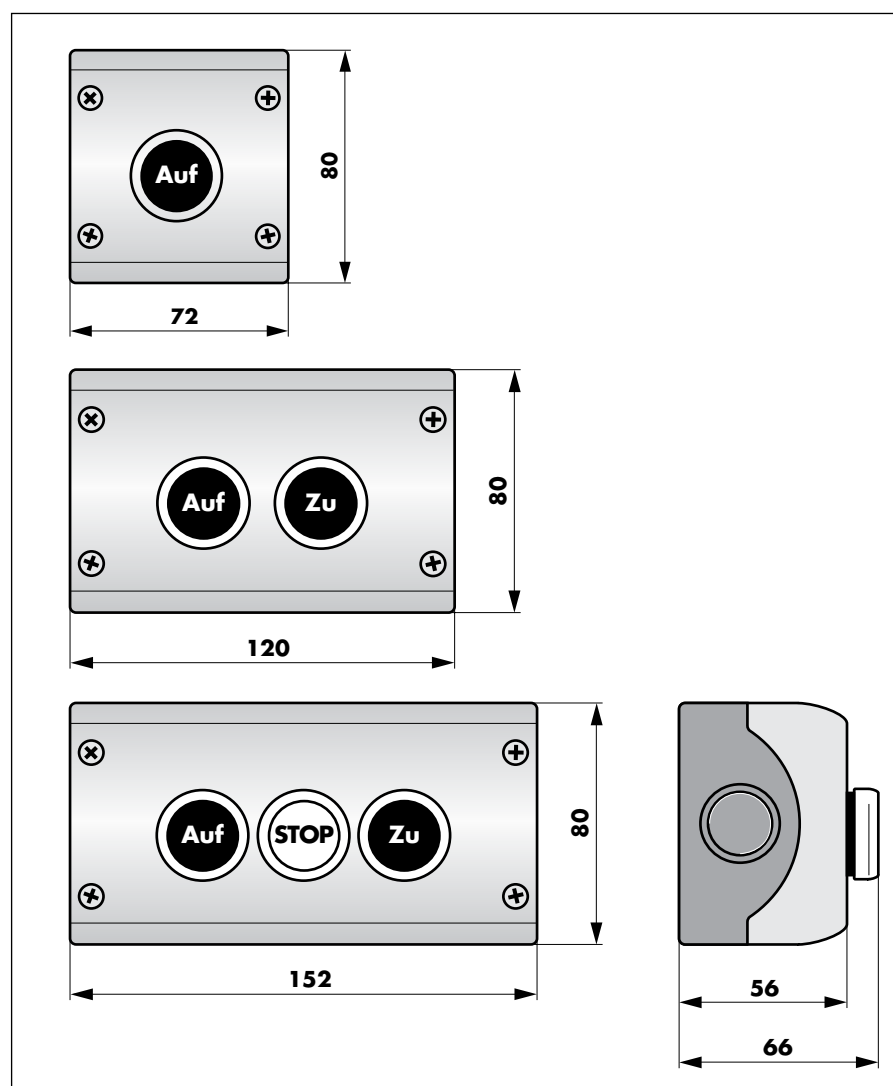
Functioning

DICTATOR furnishes a range of different push button switches to operate the door drives DICTAMAT. Normally a switch with two or three push buttons is used (OPEN/CLOSE or OPEN/STOP/CLOSE). The hand switches shown on this page are provided with the following **contacts**:

OPEN, CLOSE make contact (NO)

STOP break contact (NC) or make contact (NO) (depending on the type of control system used)

Dimensions



Technical Data

IP rating	IP 67
Operating temperature	-25 °C to +70 °C

Order Information

Push button switch OPEN (make contact, NO)	part no. 700185
Push button switch OPEN - CLOSE, (2 make contacts, NO)	part no. 700117
Push button switch OPEN-STOP-CLOSE (STOP = break contact, NC)	part no. 700142
Push button switch OPEN-STOP-CLOSE (STOP = make contact, NO)	part no. 700147

Key Switch

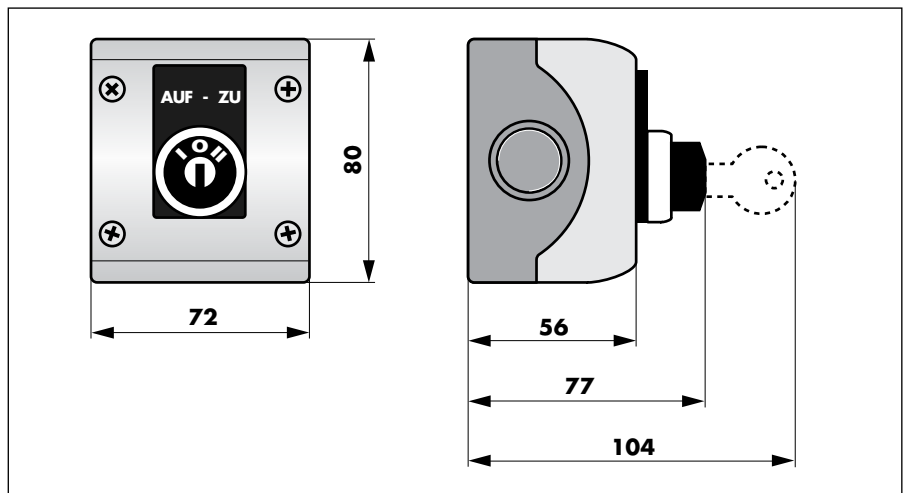
Functioning

A **key switch** is used whenever the use or the operation of the door is restricted to certain persons. The key switches offer only two operating possibilities: OPEN and CLOSE. Is the key switch part of a locking system the key switches can be furnished with a half cylinder lock, to be replaced with one belonging to the locking system.

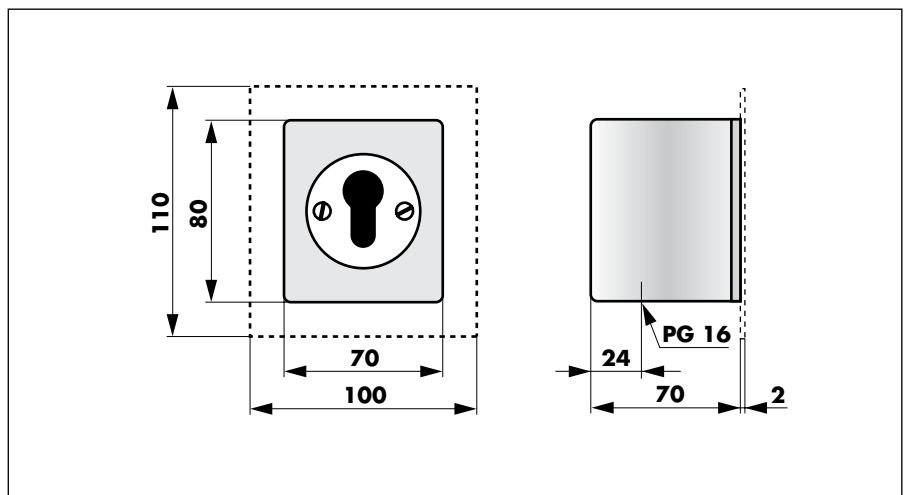
Contacts:

OPEN, CLOSE	make contact (NO)
-------------	-------------------

Dimensions Key Switch



Dimensions Key Switch for Half Cylinder Locks



Technical Data

IP rating key switch	IP 67
IP rating key switch with half cylinder lock	IP 54
Operating temperature	-25 °C to +70 °C

Order Information

Key switch OPEN - CLOSE, surface type	part no. 700113
Key switch OPEN - CLOSE with half cylinder lock, surface type	part no. 700114
Key switch OPEN - CLOSE with half cylinder lock, flush mounting	part no. 700115

Large Surface Switch, Pulling Switch

Functioning

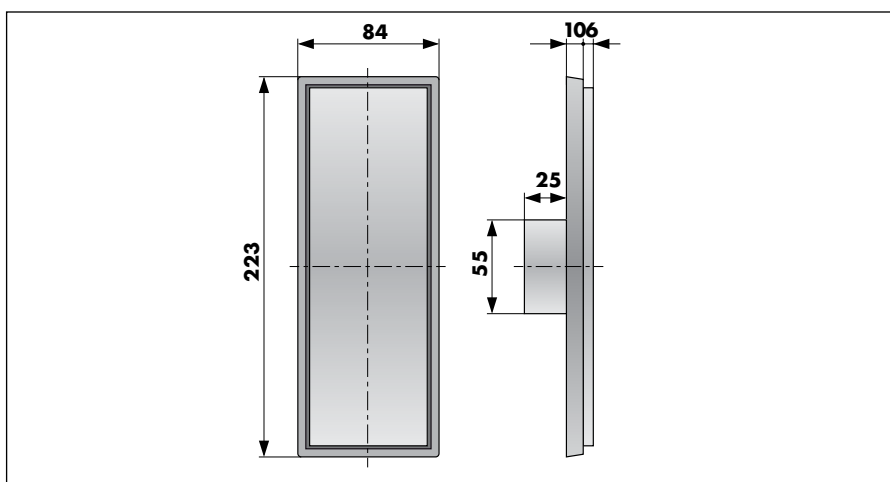
Large surface switches are recommended when the persons using the door either do not have empty hands and should be able to operate the switch with their elbow, or to facilitate their use to handicapped persons.

The **pulling switch** is mainly used in combination with the automatic closing when fork lift trucks frequently use the doors.

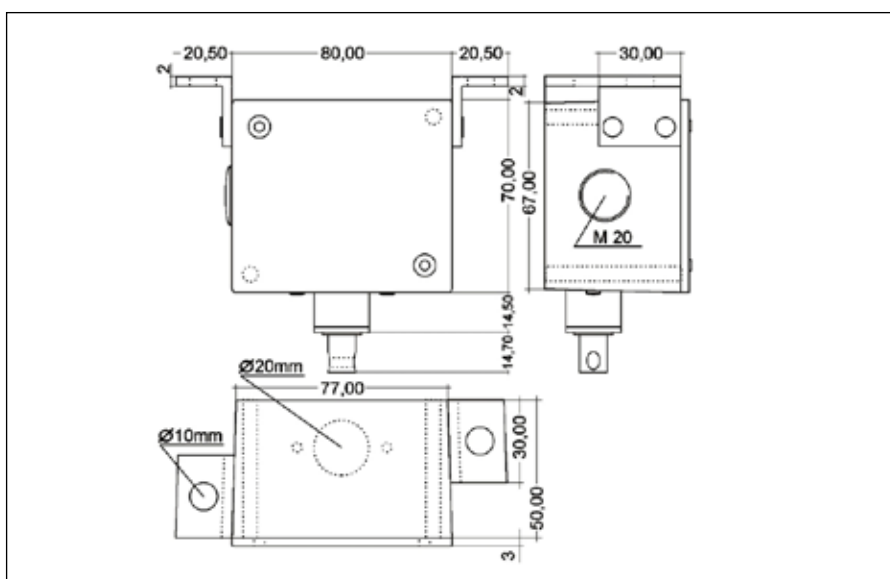
Contacts:

Make contact (NO)

Dimensions Large Surface Switch



Dimensions Pulling Switch



Technical Data

IP rating large surface switch	IP 30
Operating temperature large surface switch	-20 °C to +50 °C
IP rating pulling switch	IP 65
Operating temperature pulling switch	-25 °C to +70 °C

Order Information

Large surface switch, flush mounting, stainless steel appearance	part no. 700194
Pulling switch (for alternating impulse OPEN-CLOSE)	part no. 700164

Special Operating Elements for Fire Protection Doors

Functioning

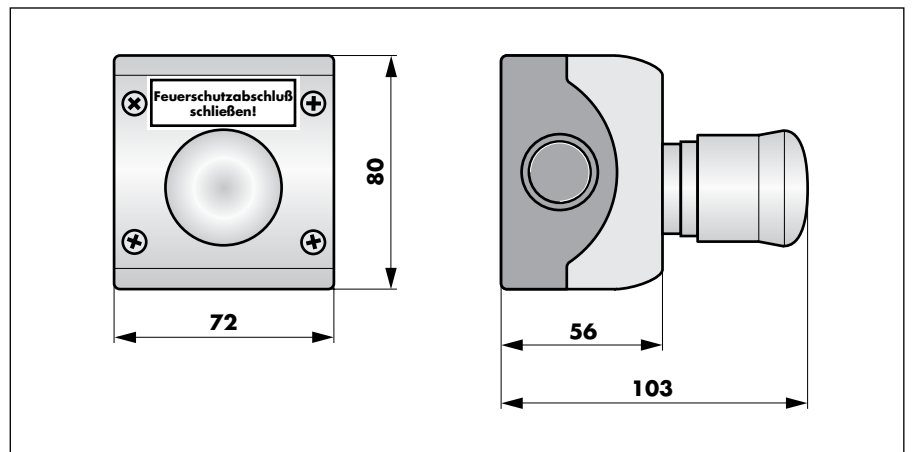
Fire protection doors have to close automatically in case of alarm. The alarm can be triggered by a smoke detector or by a hand release switch. In case of the semi-automatic door operators DICTAMAT 560, 570 and 650 a push-to-lock key is required. For the fully automatic door operators the standard **hand release switch**, part no. 040005 or 040053 (see chapter Fire Door Control Solutions) is sufficient.

After every alarm the control system requires a **RESET** command to resume normal operation.

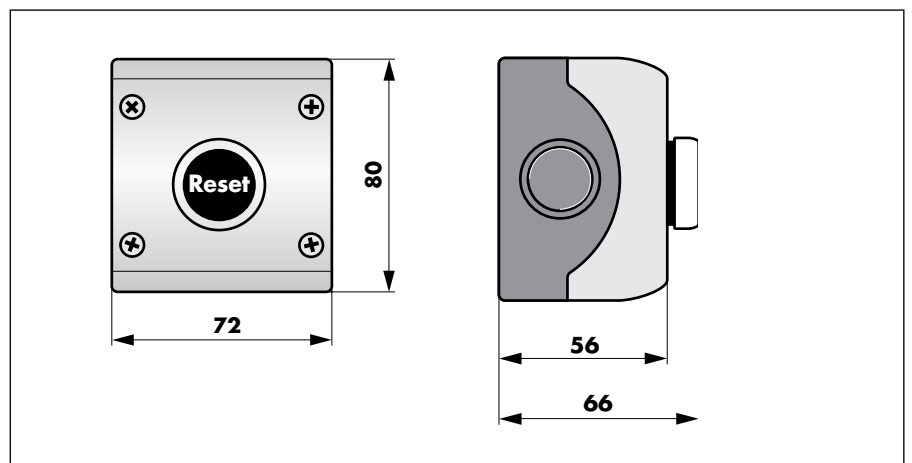
Contacts:

OPEN	2 x make contact (NO)	STOP	make contact (NO)
CLOSE	break contact (NC)		

Dimensions Push-to-Lock Hand Switch



Dimensions RESET



Technical Data

IP rating	IP 67
Operating temperature	-25 °C to +70 °C

Order Information

Push-to-lock hand release switch (break contact - NC)	part no. 700132
RESET switch (make contact - NO)	part no. 700112

Other Switches: Emergency-STOP, Limit Switch, Main Switch

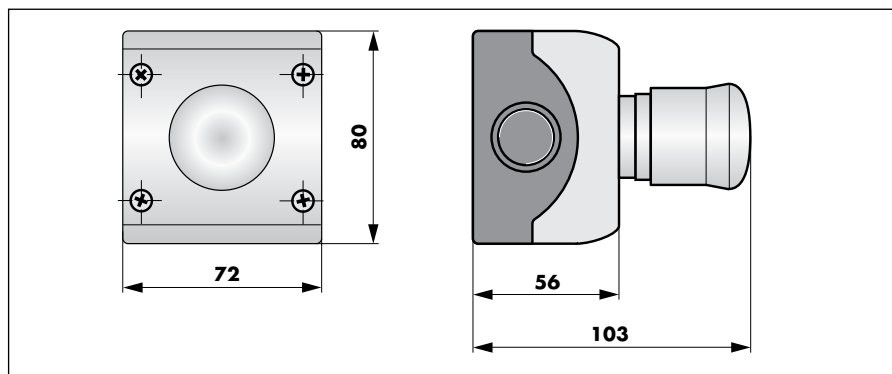
Functioning

For large sliding doors an **emergency-stop switch** should be provided for safety reasons.

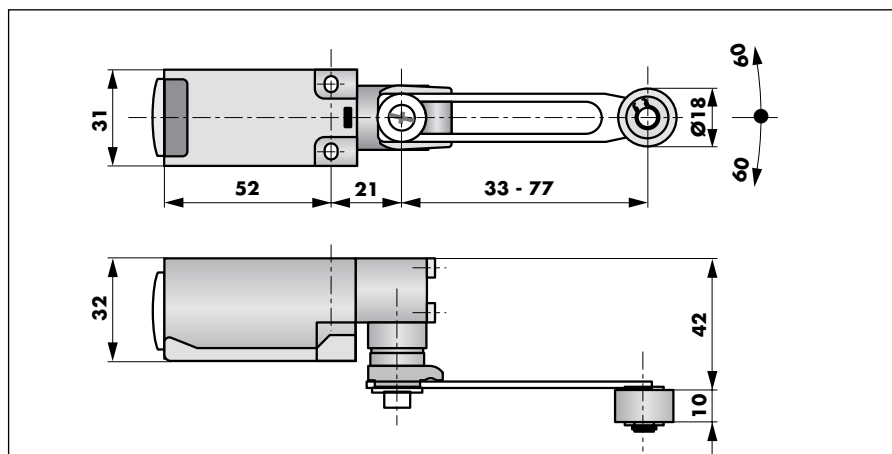
Limit switches are necessary for all door operators without integrated position control system.

In order to be able to cut off the power supply completely, a **main switch** should be installed directly in the power supply of the control system.

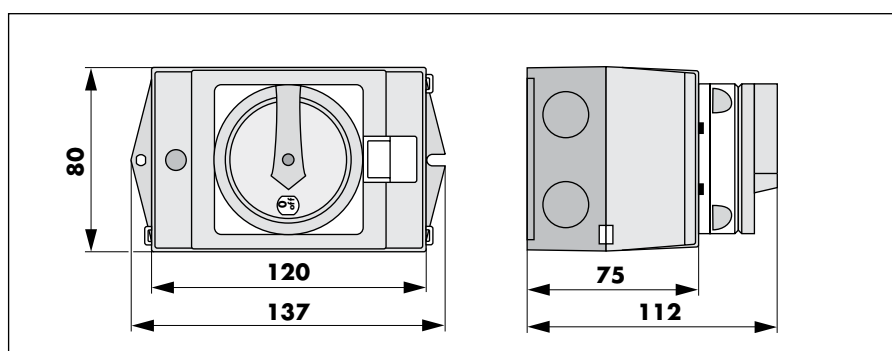
Dimensions Emergency-STOP Switch



Dimensions Limit Switch



Dimensions Main Switch



Technical Data

IP rating	limit switch IP 65
Operating temperature	-25 °C to +70 °C

Order Information

Emergency-STOP switch (push-to-lock) (break contact - NC)	part no. 700198
Limit switch (break contact - NC)	part no. 700156
Lockable main switch (for padlock)	part no. 700179