

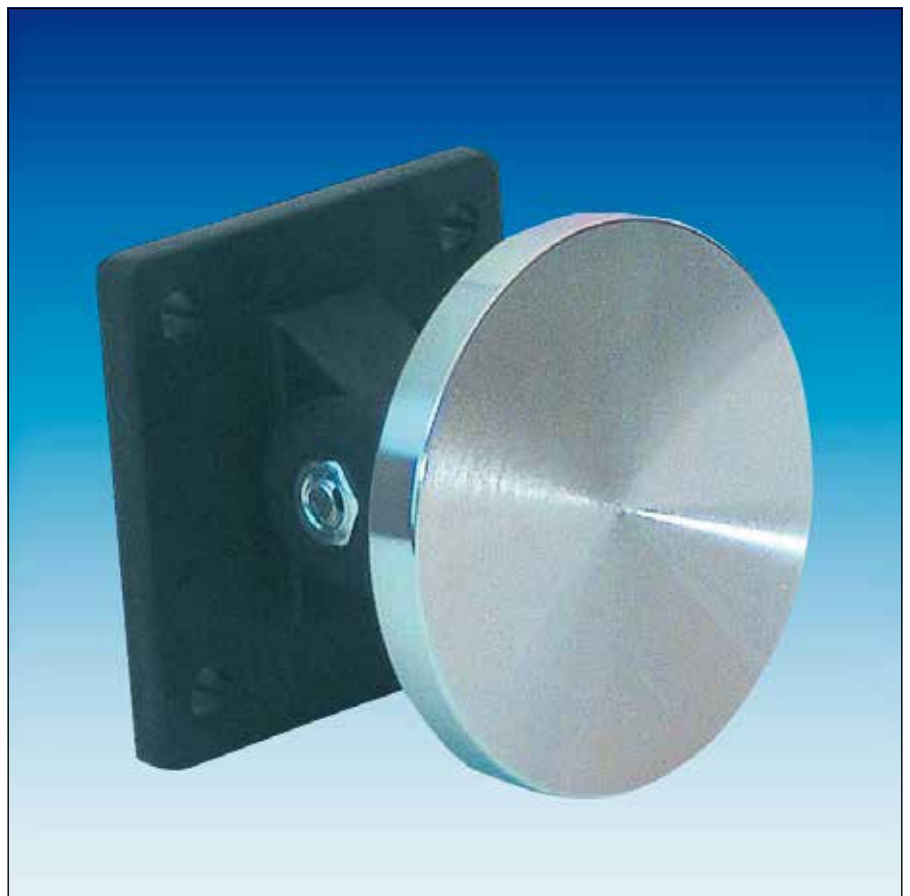
## Counter Plate With Angular Joint

DICTATOR counter plates provide the safe and reliable connection between door and electromagnet.

Due to its angular joint the counter plate allows for an angle compensation between door and magnet of maximum 60° in both directions. The counter plate is fixed in the required position. Smaller angle deviations are compensated by an elastic element between plate and base.

To achieve maximum holding force the counter plate should always have at least the same diameter as the electromagnet and lie flat against the magnet face.

The flexible counter plates with angular joint have been tested in combination with DICTATOR electromagnets.



### Order Information

AP GD 40 W 50 counter plate	Ø 44	part no. 040072
AP GD 50 W 50 counter plate	Ø 54	part no. 040027
AP GD 60 W 50 counter plate	Ø 64	part no. 040070
AP GD 70 W 54 counter plate	Ø 74	part no. 040068

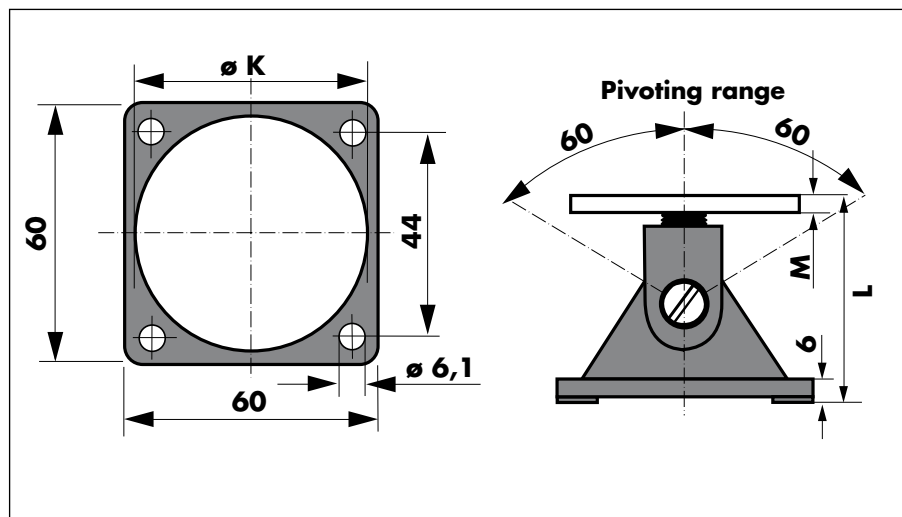
## Installation

When fixing DICTATOR counter plates to the door make sure they completely cover the magnet.

It is important not to damage the surface of the counter plate (e.g. by scratching or painting) as this would reduce the force of the magnet.

**Important:** It is imperative to follow the instructions of the door manufacturer when installing the counter plates on fire protection doors.

## Dimensions



Counter plate	K	L	M
Counter plate AP GD 40 W 50	Ø 44	50	5,5
Counter plate AP GD 50 W 50	Ø 54	51	7
Counter plate AP GD 60 W 50	Ø 64	51	7
Counter plate AP GD 70 W 54	Ø 74	54	10

All dimensions are in mm.