

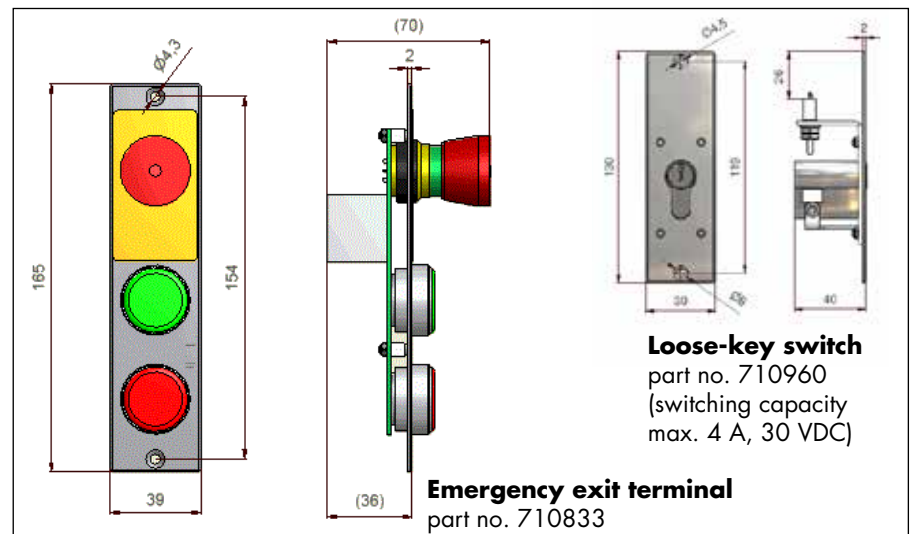


Interlock Control System - Emergency Exit Terminal

The DICTATOR interlock control system provides a terminal designed especially for doors in emergency exits. These doors are equipped both with the normal control terminal and an additional emergency exit terminal. This terminal only serves for unlocking the door during an emergency. Normally the interlock system door is operated by the control terminal (without emergency-open switch).

The emergency exit terminal has been tested by the German TÜV Thüringen and is approved for its use on emergency exit doors (German standard for electrical locking systems on emergency exits EltVTR), certificate no. P-3250/08.

Dimensions



Functioning

The emergency-open switch of the emergency exit terminal permits to unlock the door of the interlock system in case of an emergency. The used locking device has to be an approved one (see DICTATOR bar magnets starting on page 08.047.00, approved magnets are marked with * or electric strikes on pages 08.064.00 and following). The power supply of the connected bar magnet is interrupted and the door unlocked.

The emergency exit terminal is provided with contacts for an external signal (siren, lamp, horn), even supplying a power of up to max. 1.4 A for the signal. (ATTENTION: this power consumption has to be taken into account when calculating the required performance of the power pack).

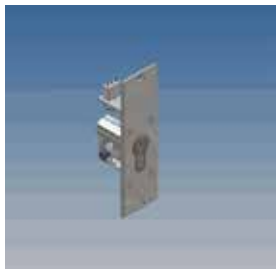
The emergency-open command can also be given directly by a facility management centre.

The door status is indicated by the two lamps on the terminal:

Red LED on: Door is locked electrically.

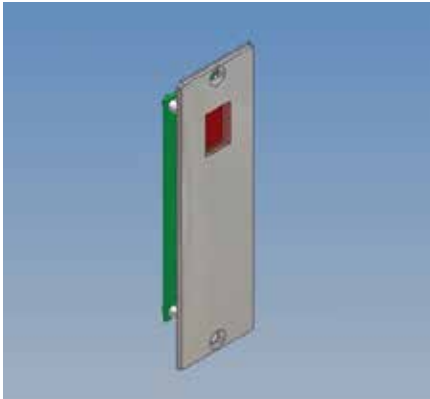
Green LED on: Door is released.

After an emergency unlocking the door has to be locked again by a separate switching device within splitting distance of the door like for instance the loose-key switch with stainless steel front plate (AISI 304), part no. 710960 (see illustration on top and left). The half profile cylinder has to be provided by the customer.



Technical Data Emergency Exit Terminal

Power consumption	24 VDC, approx. 80 mA
IP rating	IP 20
Operating temperature	-10 °C to +40 °C
Emergency-open contact set (capacity)	2 NC contacts: 2.8 A
Input signal from hazard alert system	NC contact
Output to signal (horn etc.)	24 VDC, max. 1.4 A



Interlock Control System - Time Control Unit

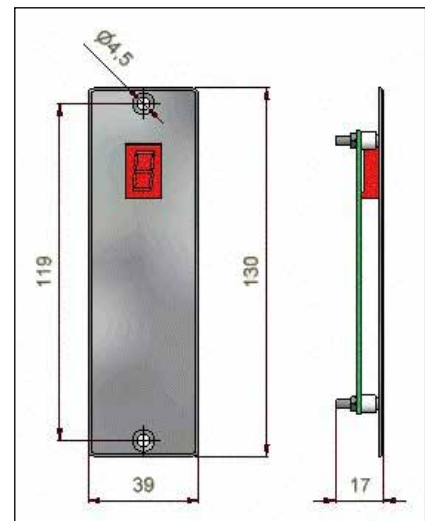
Some interlock systems require that some doors open only after a certain time delay, e.g. if the quality/temperature of the air in the interlock must reach a certain level before the door to the clean room may open. The DICTATOR time control unit permits the locking of max. 6 clean room doors against up to 6 "blackroom" doors. If one or several of the "blackroom" doors are opened during the locking time, the time control unit starts the count-down again. Only when the adjusted time has elapsed, the door to the clean room can be opened.

Functioning / Dimensions

The type of door (clean room or blackroom) is determined by the connection of the control terminals to different terminal strips of the time control unit.

The required period (16 different values possible) is adjusted in the time control unit with the help of 4 DIP switches. If a time different from the 16 adjusted periods is required, this has to be indicated in the order as it has to be programmed in production.

The time control unit has a 7-segment display and an additional dot. If the time control unit is on, the dot of the display lights up. When the time control unit is activated by one of the connected terminals, the dot starts flashing (one flash per second). When all blackroom doors are closed the countdown starts. The time control unit divides the adjusted period in 10 intervals and the display counts down from 9 to 0, thus indicating the remaining time during which the doors stay locked.



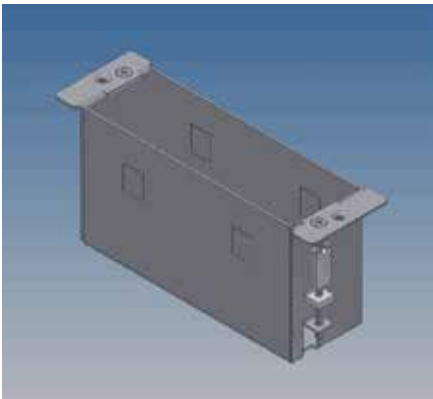
Models / Components

It is possible to connect up to 6 additional displays (part no. 710805) to the time control unit. Independent of the amount of additional displays there is always required one extender circuit module (part no. 710808).

The time control unit is connected with a normal cable to the distribution box. For the connection of the additional displays and the extender circuit module the connection cables, part no. 710809 or 710810, are to be used. If their length is not sufficient, the connection has to be done on site. In this case a set of connection plugs, part no. 710811, is required, one for each additional display.

Technical Data

Power consumption time control unit	24 VDC, max. 20 mA
Power consumption extender circuit module	24 VDC, max. 2 mA
Power consumption additional display	24 VDC, max. 10 mA
IP rating	IP 20
Operating temperature	-10 °C to +40 °C
Periods	16 different periods adjustable (0, 15, 20, 25, 30, 35, 40, 50, 60, 120, 180, 240, 300, 420, 540, 660 seconds) max. time lag 2.75 hours
Number of connectable doors	6 clean room and max. 6 "blackroom" doors



Interlock Control System - Installation Components

For the installation of the different terminals there are available suitable flush and surface boxes.

Furthermore, the terminals with emergency-open switch can be protected against unauthorised activating of this switch by a cover that is prepared for a lead seal.

Flush and Surface Boxes

Generally the control and operating terminals and also the time control unit are intended for flush mounting in the hollow profiles of the interlock doors. If necessary, a corresponding flush box is available (part no. 710829).

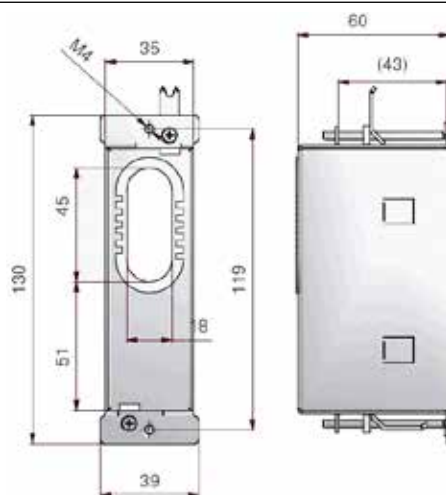
But the terminals can also be mounted on the surface. The surface box has the IP rating IP 65 and is powder-coated. It is available in two colours:

- white RAL 9010 (part no. 710831)
- white aluminium, metallic, RAL 9006 (part no. 710832).

Also for the emergency exit terminal a flush box (part no. 710834) and a surface box in white RAL 9010 (part no. 710835) are available.

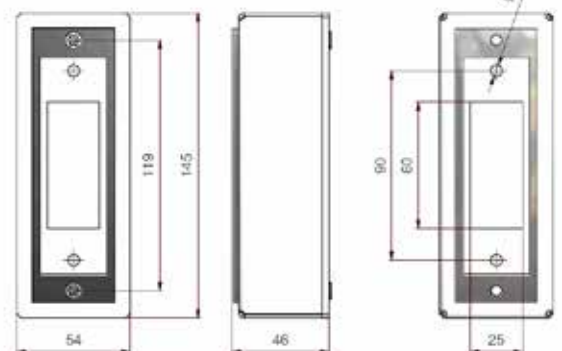


Flush box
for control and operating terminals and the time control unit
part no. 710829

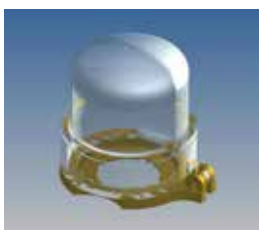


Surface box

for control and operating terminals and the time control unit, part nos. 710831/710832



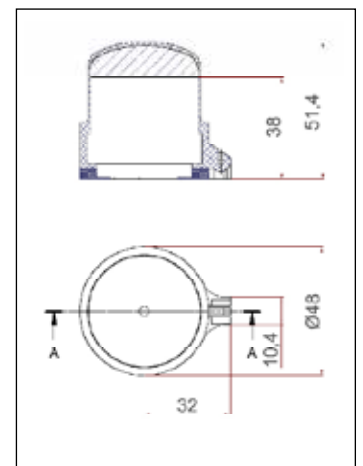
Cover Prepared for a Lead Seal



In case the emergency-open switches in an interlock control system are again and again misused, they can be protected by a cover that is prepared for a lead seal (part no. 710839). This cover can be retrofitted and is from transparent, UV resistant plastics with a yellow collar for fixing.

This cover has a predetermined separation area and can be reused after the emergency-open switch has been activated.

The lead seal is not included in the delivery.





Additional Components for Peripheral and Central Interlock Control System - Order Information

On this page you will find the part numbers of all the additional components for the peripheral and central DICTATOR interlock control system mentioned on the previous pages.

Order Information Emergency Exit Terminal Time Control Unit (see page 08.044.00)

Mounting Components (see page 08.045.00)

Emergency exit terminal FT P	part no. 710833
Loose-key switch for emergency exit terminal	part no. 710960
Time control unit ZS	part no. 710805
Additional display ZA for the time control unit	part no. 710806
Extender circuit module for additional displays	part no. 710808
Surface box P for the control/operating terminal, white, RAL 9010	part no. 710829
Surface box P for the control/operating terminal, white, RAL 9010	part no. 710831
Surface box P for control/operating terminal, metallic, RAL 9006	part no. 710832
Flush box P for emergency exit terminal	part no. 710834
Surface box P for emergency exit terminal, white, RAL 9010	part no. 710835
Cover prepared for a lead seal	part no. 710839