

Door Locks

TVR Door Locking Unit, Electric Strikes, Accessories

Beside the bar magnets there exist several other locking devices. Among these are the TVR door locking system and electric strikes. On the following pages you will find a small choice of the product range.

The TVR1 door locking unit has an extremely low power consumption. The singular combination of an electromagnetic lock and a sturdy locking bolt offers highest safety. Due to the concealed installation the TVR1 door lock is to a large extent safe from damage and manipulation.

A further possibility to keep a door locked are the electric strikes. When used in combination with the DICTATOR interlock control system, you should take care that they are generally unlocked when without power. You should always chose the version with quiescent current, i.e. in case of power failure the door can be opened.



Components

Locking devices	TVR1 door locking unit electric strikes
Voltage	12 VDC / 24 VDC, for details please see the types
Principle of working	quiescent current (unlocked without current)
Feedback contact	with feedback contact
Accessories	separate feed-back contacts



TVR1 Door Lock

The TVR1 door lock features double safety against breaking open and manipulation. Amongst others it is verified whether the closed door is really locked in the lock.

When actuating the Emergency-Open switch, the electromagnet integrated in the TVR becomes currentless. The bolt enters reliably, even with a load up to 3000 N already pressing on the door. Against breaking open from the outside the holding force of the bolt is 6000 N. Each door can be equipped with two TVR1 door locks at a maximum.

Installation

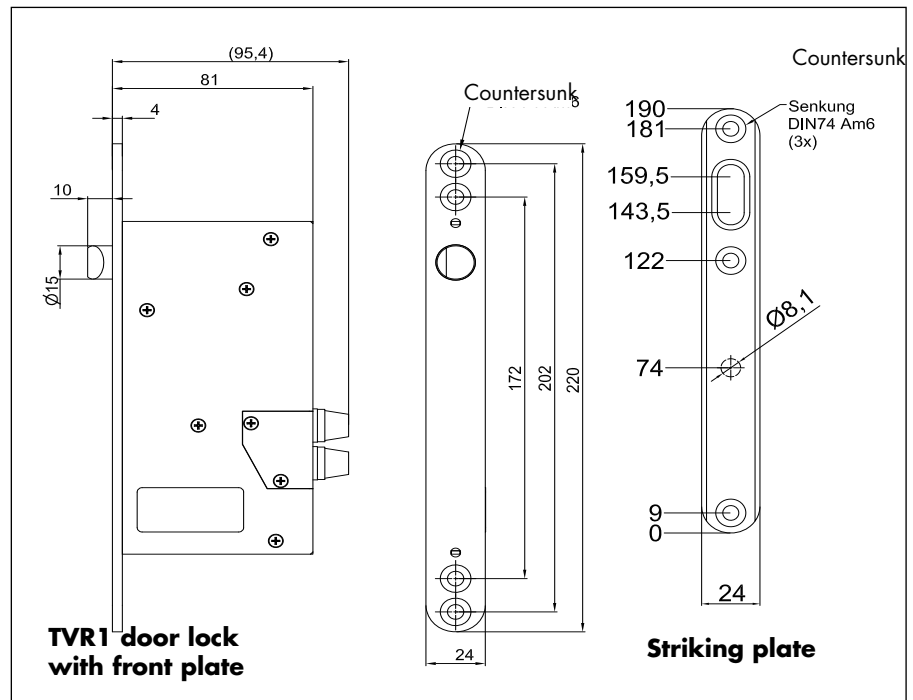
Generally the TVR1 locking unit is vertically inserted in the lateral frame of the door, the bolt being up. It can also be installed in the frame above the door, with the bolt showing downwards. The door lock requires about 85 mm in depth. It must be made sure that the gap between locking unit and striking plate is no less than 3 mm and no more than 5 mm.

Dimensions

Important:

The TVR1 door lock should only be used on doors being sufficiently solid. Only then the bolt will always reliably enter the opening in the striking plate and unbolt again.

With light door constructions a winding or lowering door leaf may negatively influence the accurate functioning of the bolt.



Technical Data

Voltage	24 VDC ± 10 %
Power consumption	max. 80 mA when locked
Locking force	6000 N (against breaking the door open)
Safe unlocking up to a load of	3000 N (in exit direction)
Duty cycle	100 %
Principle of working	quiescent current (unlocked without current)
IP rating	IP 30
Feedback contact	yes
Operating temperature	-10 °C to +40 °C

Order Information

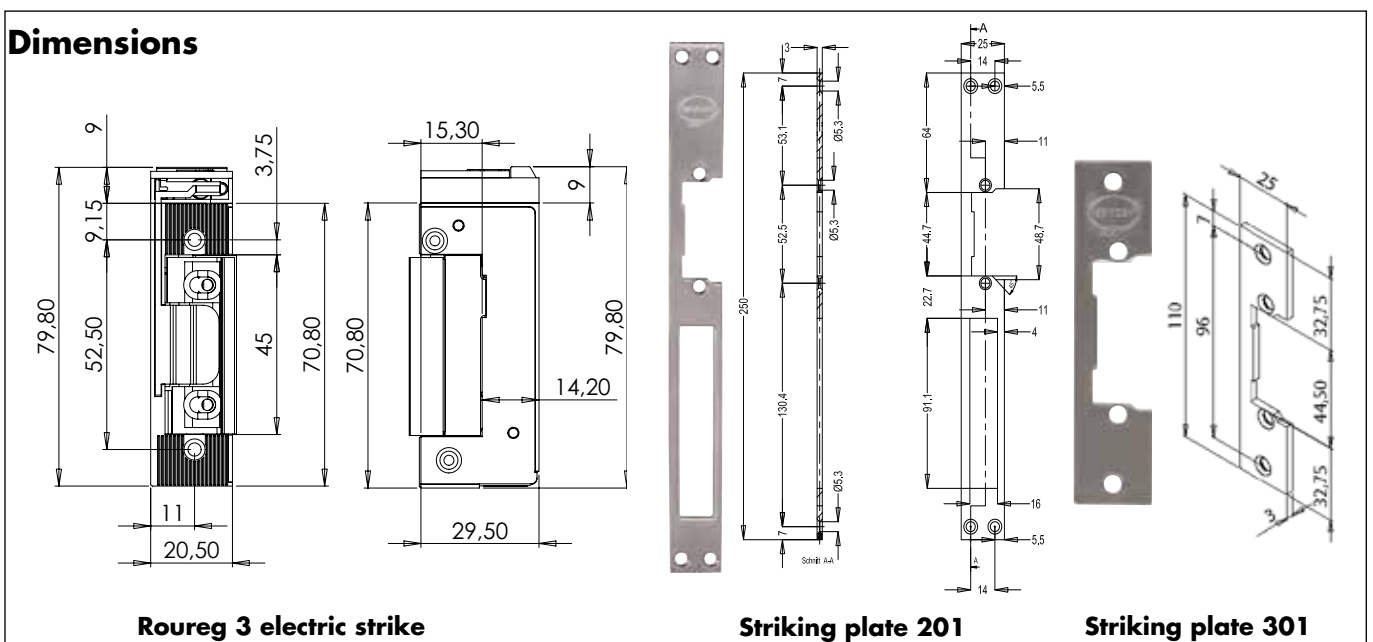
TVR1 door lock, for doors DIN left	part no. 710750
TVR1 door lock, for doors DIN right	part no. 710751



Roureg 3 Electric Strike

Sometimes electric strikes are an alternative to bar magnets for locking doors. In combination with the DICTATOR interlock control system you have to use an electric strike being unlocked without current, i.e. the door can be opened in case of a power failure. Due to its symmetrical design the Roureg 3 electric strike can be used on right- and left-handed doors. It only needs very little space as the door latch centres on its own axle. It is adjustable up to 3 mm.

The choice of the corresponding striking plate depends on the door, whether it is additionally equipped with a door lock or is to be kept locked only by the electric strike.



Technical Data

Voltage	24 VDC ± 10 %
Power consumption	120 mA
Locking force	5000 N (against breaking open the door)
Safe unlocking up to a load of	2000 N (in exit direction)
Duty cycle	100 %
Principle of working	quiescent current (unlocked without current)
Material	opener die casting, striking plate stainless steel
IP rating	IP 42
Feedback contact	yes
Protection device	integrated free-wheeling diode

Order Information

Roureg 3 electric strike, with free-wheeling diode + feed-back contact	part no. 041780
Long striking plate 201	part no. 041781
Short striking plate 301	part no. 041782

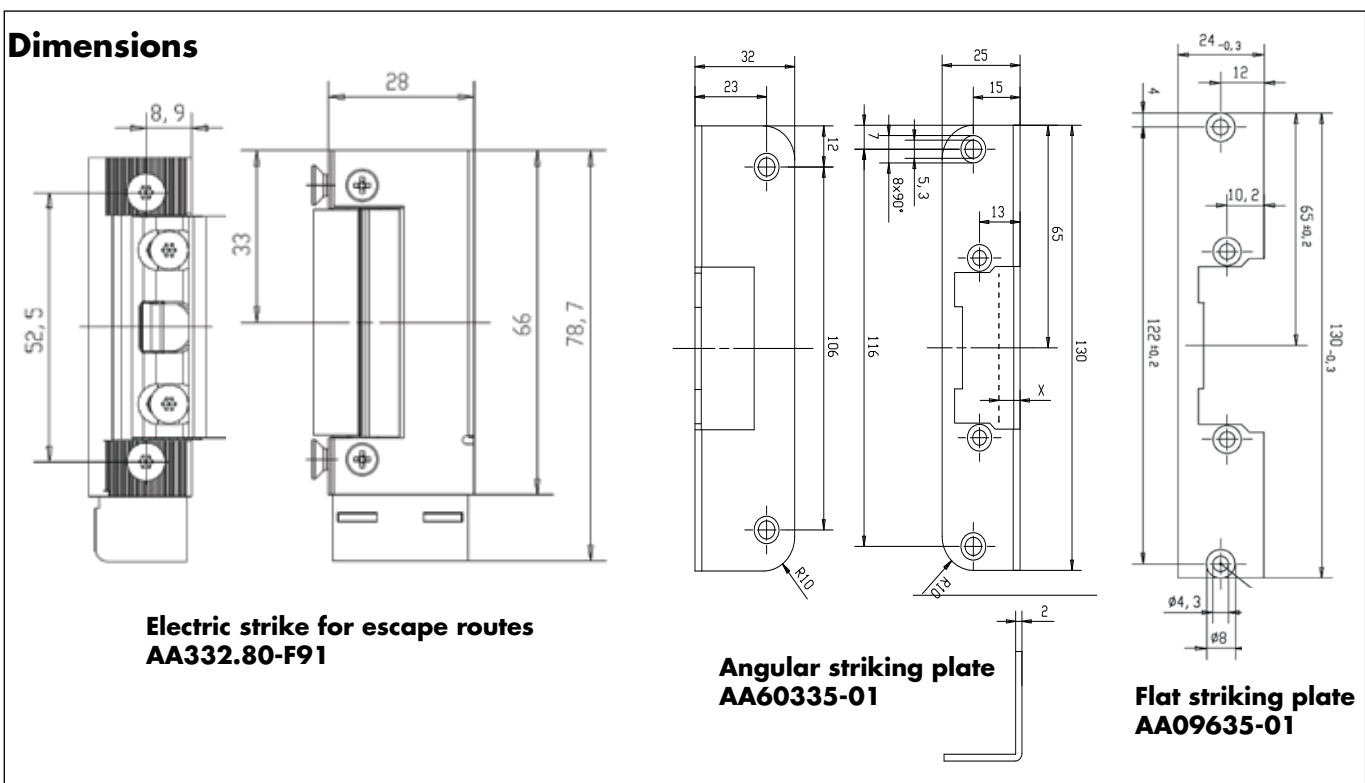


Electric Strike for Escape Routes

In combination with the emergency exit terminal of the DICTATOR interlock control system (see page 08.043.00) are certified, beside several bar magnets, also the following electric strikes for emergency exit doors.

Usually, due to its small dimensions, the electric strike 332.80-F91 will be used. The symmetric form allows to use it both on DIN right and DIN left doors. In addition it can also be installed horizontally. It is equipped with an adjustable FaFix safety catch (adjustment range 4 mm).

As a counter part for this electric strike you need one of the following striking plates. The choice of the corresponding striking plate depends on the type of door.



Technical Data

Voltage	24 VDC ± 10 %
Power consumption	100 mA
Locking force	3000 N (against breaking open the door)
Safe unlocking up to a load of	3000 N
Funktional principle	quiescent current (unlocked without current)
Operating temperature	-15 °C to +40 °C
Feedback contact	yes
Switching capacity	24 V/1 A
Material	steel
Protection	integrated diode

Order Information

Electric strike for escape routes 332.80-F91	part no. AA332.80-F91
Angular striking plate 60335-01 for above, stainless steel	part no. AA60335-01
Short, flat striking plate 09635-01 for above, stainless steel	part no. AA09635-01

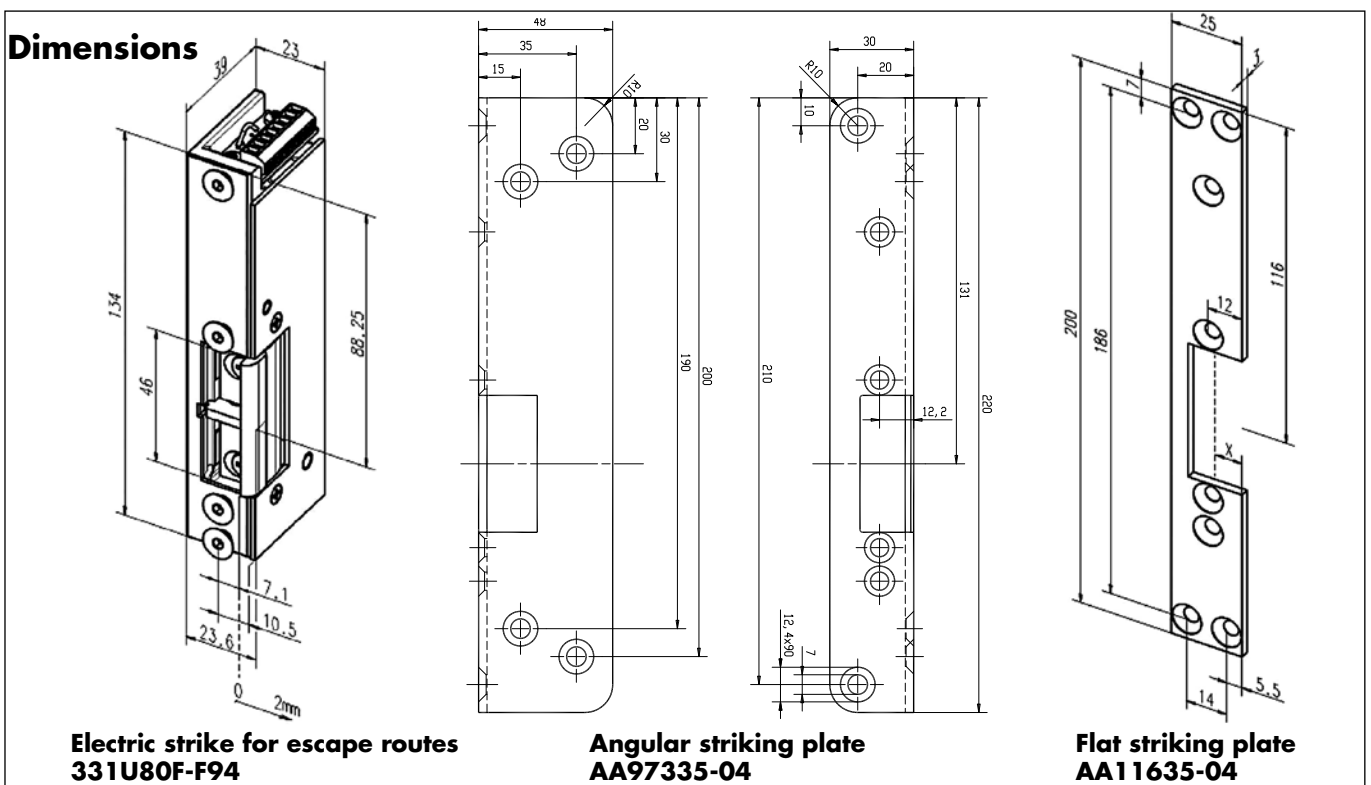


Electric Strike for Fire Protection Doors in Escape Routes

In case the emergency exit door is also a fire protection door, this door has to be equipped with an especially certified electric strike for escape routes. The electric strike 331U80F-F94 or -F95 is approved as an additional locking device for fire protection doors. This electric strike is produced in two versions, one for doors DIN left and one for doors DIN right. The FaFix safety catch offers an adjusting range of 2 mm. The electric strike can be installed either vertically or horizontally.

As a counter part you need one of the striking plates shown below. The model depends on the type of the door.

The illustration shows the version for doors DIN left.

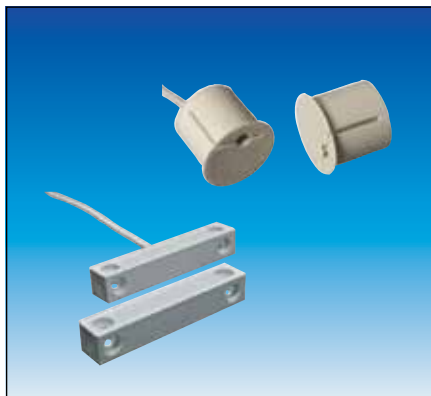


Technical Data

Voltage	24 VDC ± 10 %
Power consumption	100 mA
Locking force	5000 N (against breaking open the door)
Safe unlocking up to a load of	5000 N
Funktional principle	quiescent current (unlocked without current)
Operating temperature	-15 °C to +40 °C
Feedback contact	yes
Switching capacity	24 V/1 A
Material	steel
Protection	integrated diode

Order Information

	Part no. right	left
Electric strike for escape routes 331U80F, zinc-plated	AA331U80F-F95	AA33...-F94
Angular striking plate 97335, stainless steel	AA97335-05	AA97335-04
Flat striking plate 11635, stainless steel	AA11635-05	AA11635-04



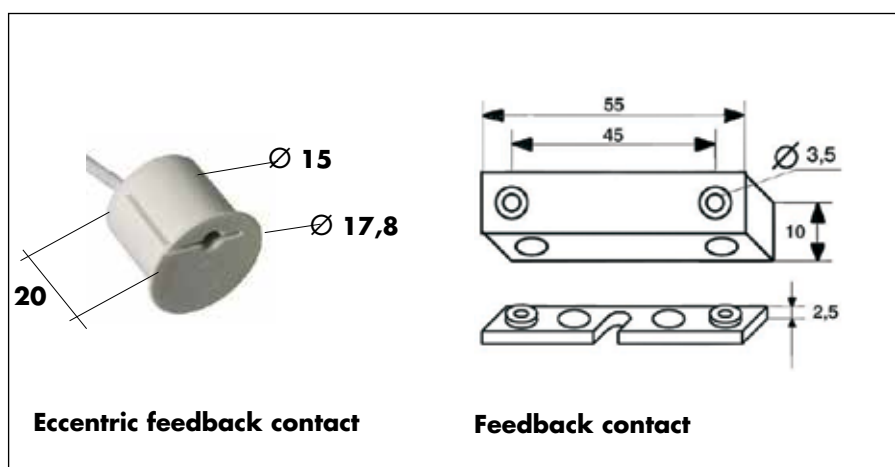
Accessories: Feedback Contact

In case a door system is equipped with bar magnets or electric door openers without feedback contact, you can retrofit separate feedback contacts.

The eccentric feedback contact for flush mounting, due to its eccentric design, offers easy adjusting to the installation situation and thus an always sure feedback. This is required when using it with bar magnets in the DICTATOR interlock control system.

These two feedback contacts are available either as make contact (NO) or as changeover. For the DICTATOR interlock control system a NO is needed.

Dimensions



Technical Data

	Eccentric feedback contact	Feedback contact
Dimensions	17.8 x 15 x 20 mm	see dimensioned drawing
Max. switching capacity	30 V / 0.5 A	NO: 100 VDC/0.5 A changeover: 30 VDC/0.2 A
Material	ABS white	
Operating temperature	-20 °C to +70 °C	
IP rating	IP 68	IP 68
Activating distance	12 mm	NO: 30 mm changeover: 23 mm
Magnetic contact	NO (connection cable with 2 wires) or changeover (connection cable with 3 wires)	
Electric connection	connection cable of 4 m (eccentric feedback contact) connection cable of 2 m (feedback contact)	

Order Information

Eccentric feedback contact white, NO	part no. 040686
Eccentric feedback contact white, changeover	part no. 040685
Feedback contact, NO, incl. mounting accessories	part no. 040688
Feedback contact, changeover, incl. mounting accessories	part no. 040687