

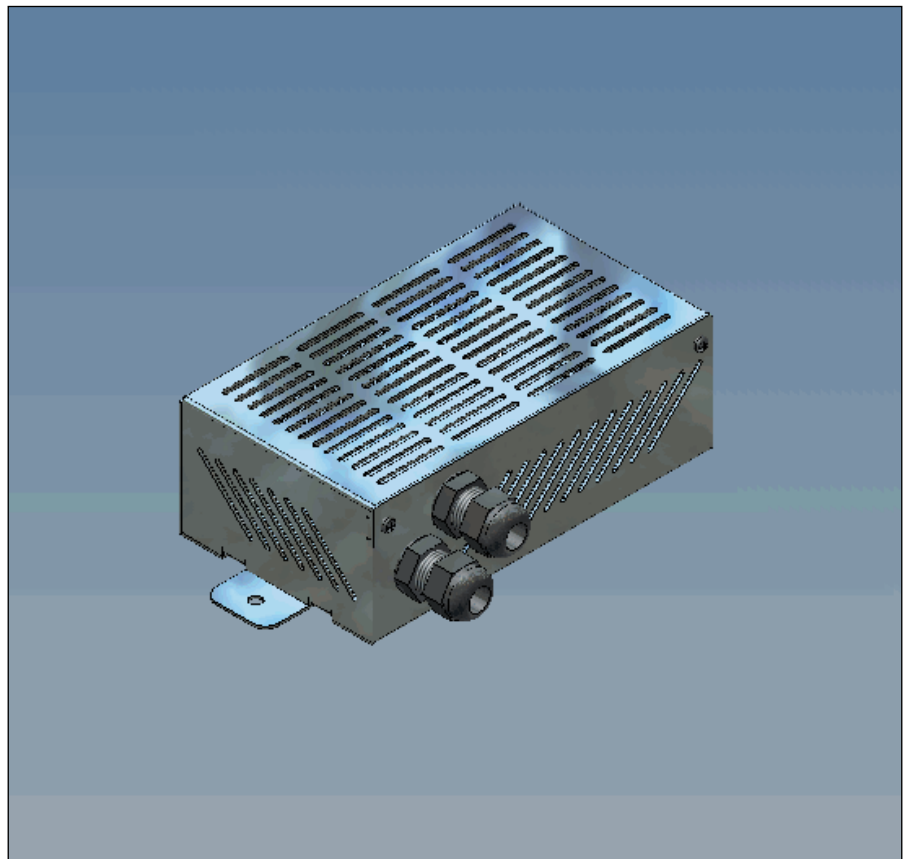
Power Packs

The DICTATOR **interlock control system** requires a central power pack for the power supply of the interlock control terminals and the locking devices.

For this purpose and also other applications DICTATOR offers power packs with different output.

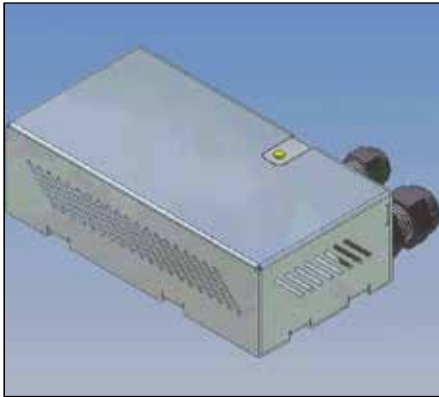
In addition to the power packs for changing 230 VAC in 24 VDC or 12 VDC, DICTATOR furnishes emergency power supplies: for the 230 VAC supply or as a power pack with integrated batteries to back up the 24 VDC supply.

The required type and capacity depend on the connected consumers. The 24 VDC power packs with 2.7 A and 5 A have especially been designed for the newest generation of the DICTATOR interlock control system. They are completely provided with pluggable connection cables, i.e. the 230 VAC power cable is just plugged in a normal socket and the cable for the power supply of the distribution box(es) is plugged in the corresponding plug-in position.



Technical Data

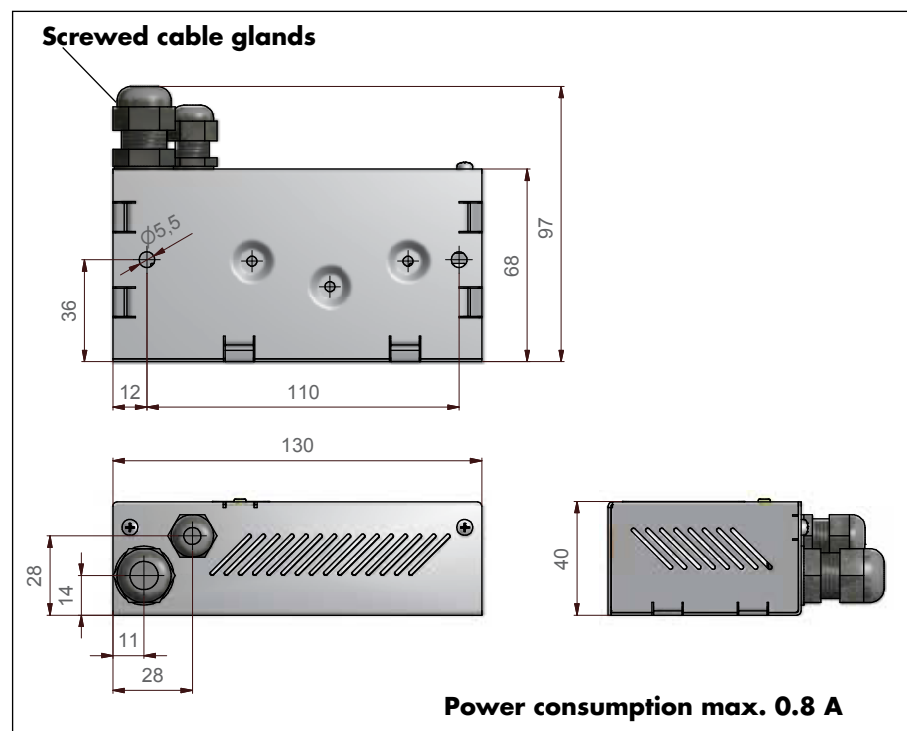
Power packs	24 VDC:	1.1 A, 2.7 A, 5 A
	12 VDC:	5 A
UPS power supplies	230 VAC:	800 VA / 500 W
	24 VDC:	3 A, 5 A
	12 VDC:	on demand



24 VDC, 1.1 A Power Pack

The 24 VDC, 1.1 A power pack is designed for the **use in small interlock systems**. This power pack indicates the proper functioning by a green luminous diode on the casing.

Dimensions



Installation

The 1.1 A power pack may be installed only in dry rooms. When the surrounding temperatures drop below 0 °C make sure that no ice can form in the power pack.

During service the power pack heats up. Therefore take care that air can circulate through the lateral ventilation slots.

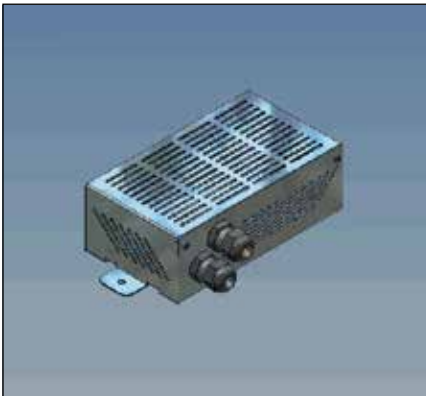
The casing is fixed via two holes $\varnothing 5.5$ mm in the bottom of the casing. For the connection to the mains and the connected devices two screwed cable glands M12 and M16 are provided.

Technical Data

Voltage	100 - 240 VAC / 46 - 63 Hz
Power consumption	max. 0.8 A
Output voltage	24 VDC (+/-10 %)
Output current (depending on type)	1.1 A
Operating temperature	-10 °C to +50 °C
IP rating (according to DIN 40050)	IP 30 / Only for dry surroundings!
Casing	AISI 304 stainless steel

Order Information

24 VDC 1.1 A power pack	part no. 710780
-------------------------	-----------------

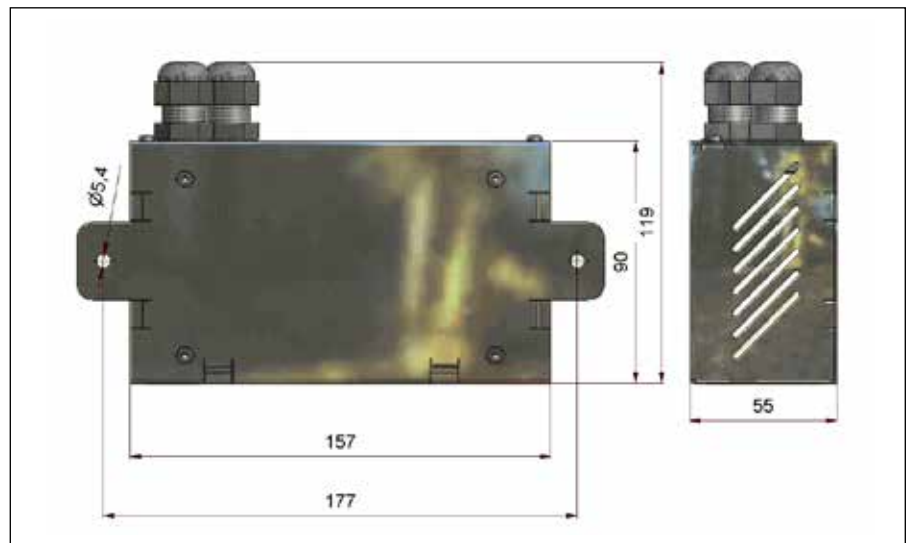


24 VDC, 2.7 A and 5 A Power Packs

The 2.7 A and 5 A NT3 power packs have **especially** been designed for the **newest generation of the interlock control system**. Both power packs are furnished in the same casing, their outer dimensions being the same.

Usually the 2.7 A power pack should be sufficient. (Please check the consumption of the single components.)

Dimensions



Installation/Connection

The 2.7 A and 5 A power packs may be installed in dry rooms only. When the surrounding temperatures drop below 0 °C it has to be made sure that there forms no ice in the power packs.

During service the power packs heat up. Therefore make sure that the lateral ventilation slots are free and the air can circulate.

The new design of the NT3 power packs makes it superfluous to open them. For the connection to the 230 VAC power supply there is a 1.5 m power cable with safety plug. To one of the distribution boxes VK3 or a central controller it is connected by a 2 m long cable provided with a 6-pin connector. This connector is plugged-in in the distribution box/central controller. There is no more connection work required.

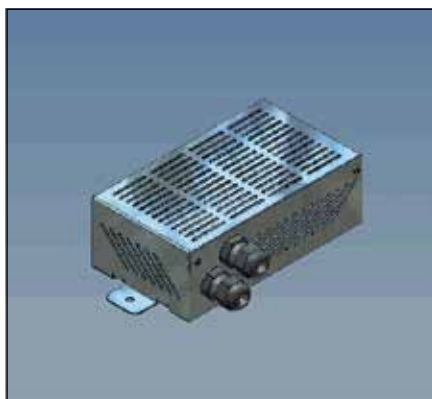
For the fixing there are provided 2 lateral brackets.

Technical Data

Voltage	100 - 240 VAC / 46 - 63 Hz
Power consumption (depending on type)	max. 0.9 A / 1 A
Output voltage	24 VDC (+/-10 %)
Output current (depending on type)	2.7 A (65 W) / 5 A (120 W)
Operating temperature	-10 °C to +50 °C
Protection (according to DIN 40050)	IP 30 / Only for dry surroundings!
Casing	AISI 304 stainless steel
Mains connection	1.5 m power cable with safety plug
24 V connection to distribution box	2 m cable with 6-pin connector

Order information

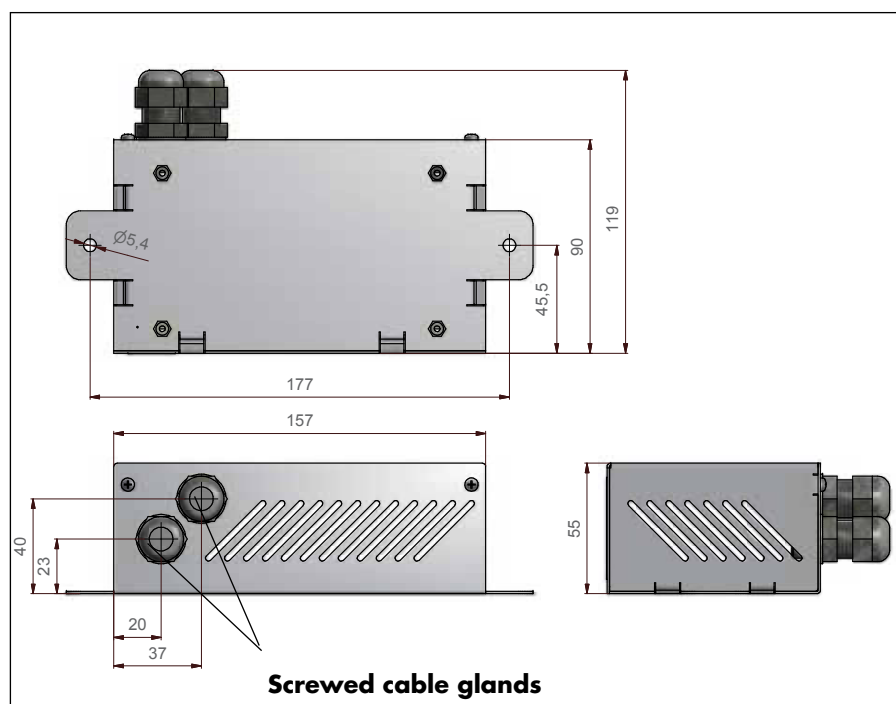
NT3 power pack, 24 VDC 2.7 A	part no. 710782
NT3 power pack, 24 VDC 5 A	part no. 710783



12 VDC, 5 A Power Pack

Especially the separate power supply of the access controls in interlock control systems requires a 12 VDC power supply.

Dimensions



Installation

The power packs may only be installed in dry rooms. When the surrounding temperatures drop below 0 °C it has to be made sure that no ice can form in the power packs. During service the power packs heat up. Therefore make sure that air can circulate through the lateral ventilation slots.

The casing is fixed via two holes \varnothing 5.5 mm in its bottom. For the connection to the mains and the connected devices two screwed cable glands M12 and M16 are provided.

Technical Data

Voltage	100 - 240 VAC / 46 - 63 Hz
Power consumption	max. 0.72 A
Output voltage	12 VDC (+/-10 %)
Output current	5 A
Operating temperature	-10 °C to +50 °C
IP rating (according to DIN 40050)	IP 30 / Only for dry surroundings!
Casing	AISI 304 stainless steel

Order Information

12 VDC, 5 A power pack	part no. 710781
------------------------	-----------------



Power Pack with 24 VDC UPS Power Supply

When interlock control systems have to operate even during power failure, instead of a simple power pack an UPS power supply is being used.

On demand we also supply a 12 VDC UPS power supply.

Technical Data

Voltage	90 - 265 VAC
Output voltage	24 VDC (+15 %, -0 %)
Output current	3 A / 5 A
Operating temperature	0 °C to +40 °C
	from 10 to 90 % humidity
Max. consumption for charging battery	700 mA / 800 mA
Battery charging time	12 hours for 80 % of capacity
Max. UPS power supply	7 Ah
Automatic protection against total discharge	voltage <21 VDC
IP rating (according to DIN 40050)	IP 40. Only for dry surroundings!
Casing	metal, white lacquered RAL 9003
Dimensions (W x H x D)	337 x 306 x 83 mm

The power packs with battery dispose of an integrated battery control to protect them from total discharge.

Three LEDs (green, yellow and red) on the power pack, visible through the door of the casing, indicate the actual state of the power supply with UPS power supply.

The integrated additional circuit board facilitates to pass on information on possible errors to a superordinate facility management centre.

The power pack with emergency power supply is protected on both the entry and the exit side by safety fuses.



Battery for power pack

Order Information

24 VDC, 3 A power pack with UPS power supply (incl. battery)	part no. 710845
24 VDC, 5 A power pack with UPS power supply (incl. battery)	part no. 710846
Battery for power pack, 12 VDC, 7 Ah (2 pcs. per power pack)	part no. 710842

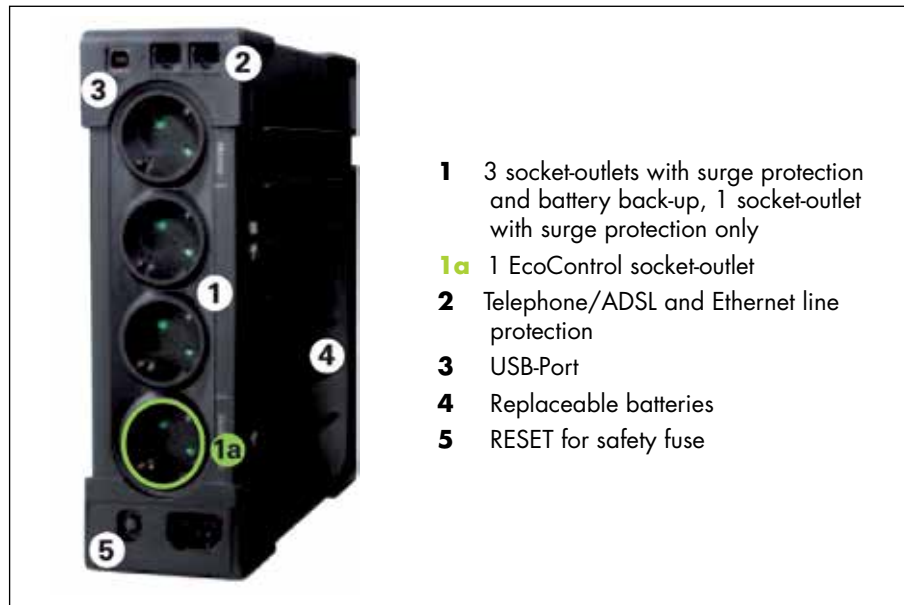


UPS Power Supply ellipse 800

In general doors in emergency exits are safely locked, but in an emergency it must be easy to open them. That means that in case of a power failure the emergency door is not locked any more, as only this represents the "safe" state and permits an unhindered escape.

To keep these doors locked also in case of a power cut, you can connect the complete interlock control system to an **extern 230 VAC UPS power supply**. The power supply ellipse 800 provides at a load of 50 % (i.e. connected consumers with about 250 W) for about 11 minutes the power supply. UPS systems for longer periods are available on demand.

Configuration



The UPS power supply ellipse 800 is designed for the use in dry surroundings only. The battery needs no maintenance. It is charged automatically and its state of charge is supervised. It is protected against total discharge. If it needs to be replaced, this will be indicated (LED + acoustic alarm).

Technical Data

Capacity	800 VA / 500 W
Input voltage	184 - 264 VAC
Output voltage	230 VAC (adjustable to 220/230/240 V)
Frequency	50 - 60 Hz (automatic recognition)
Power failure bridging time	about 11 minutes at 50 % load
Socket-outlets	see above
Input protection	resettable safety fuses
Protection against total discharge	4 hours
Dimensions (w x h x d)	81 x 263 x 235 mm
Battery	maintenance-free lead-acid battery
Conformity to standards	IEC/EN 62040-1-1, IEC/EN 60950 IEC 62040-2, IEC 61643-1, CB-Report

Order Information

UPS power supply ellipse 800	part no. 710785
------------------------------	-----------------